

+



MORE FUN.

+

○

●

○

675SR-R

Owner's Manual

Read this manual carefully.

It contains important safety information
make sure operator holds a valid driver license.

Passengers under 12 are prohibited.

»

»

TABLE OF CONTENTS

FOREWORD	7
EVAP System (Evaporative Emission Control System)	8
Signal Words	9
VIN AND ENGINE SERIAL NUMBER	11
SPECIFICATIONS	12
OPERATOR SAFETY	15
General Safety Precautions	15
Equipment Modifications	16
Owner Responsibilities.....	19
Safe Riding Gear.....	20
General Information	23
AVOID DANGEROUS RIDING BEHAVIORS	24
VEHICLE VIEW	28
Rear Left View.....	28
Front Right View.....	29
OPERATING PARTS	30
Clutch Lever	30
Front Hand Brake Lever	30

Handlebar Switch, LH	31
Handlebar Switch, RH.....	33
Throttle	34
Locks.....	35
Gear Shift Lever	38
Rear Brake Lever	39
Side Stand.....	39
Passenger Handhold and Footrests.....	40
USB Output Seat Kit	41
INSTRUMENT	42
Activation and Testing	42
Instrument Indicators.....	43
Instrument Display	46
Instrument Menu	52
OPERATING YOUR VEHICLE	86
Break-In Period	86
Daily Safety Inspection.....	87
Starting.....	89
Starting Off	90
Shifting, Riding.....	90

Brake	91
Parking	93
SAFETY OPERATION	95
Safe Riding Tips	95
Additional Cautions for High Speed Operation	96
MAINTENANCE	97
Improper Use	97
Key Points of Lubrication Schedule:	98
Break-in Periodic Maintenance Chart	99
After Break-in Periodic Maintenance Chart	102
CLUTCH LEVER FREE-PLAY	108
TOOL KIT	109
FUEL SYSTEM	110
Fuel Tank Refilling	110
Fuel Requirements	111
Octane Rating (RON)	111
ENGINE ASSY	112
Oil Level Inspection	112
Oil and Oil Filter Replacement	113
Oil Capacity	116

Spark Plug.....	117
Idling.....	117
AIR INTAKE AND EXHAUST SYSTEM.....	118
Exhaust Detecting System	118
Air Intake/Exhaust Valve	118
Valve Clearance	119
Air Filter	120
Throttle Body.....	120
COOLING SYSTEM.....	121
Radiator and Cooling Fan	121
Radiator Hoses	121
Coolant.....	122
Coolant Level Inspection	124
Coolant Replenishment.....	125
TIRES AND CHAINS	126
Tire Specifications	126
Tire Friction	128
Drive Chain Inspection	129
Drive Chain Tension Adjustment	131
BRAKE SYSTEM.....	134

Front Brake Lever Inspection	134
Rear Brake Pedal Inspection	134
Brake Fluid Level Inspection	135
Brake Fluid Replenishment	136
Brake Disc Inspection	138
Brake Caliper Inspection	138
Anti-lock Braking System (ABS)	139
SHOCK ABSORBER	140
Shock Absorber Inspection	140
Front Shock Absorber Adjustment.....	141
Rear Shock Absorber Adjustment	143
ELECTRICAL SYSTEM AND LIGHTS	145
Battery	145
Battery Removal.....	147
Battery Mounting	148
Lights.....	149
Fuses	150
CATALYTIC CONVERTER	151
EVAPORATIVE EMISSION CONTROL SYSTEM	152
CLEANING AND STORAGE	153

General Precautions	153
Washing the Vehicle.....	154
Decorating the Surface	155
Windshield and Other Plastic Parts.....	155
Chrome and Aluminum(If equipped)	155
Leather, Vinyl, and Rubber Products(If equipped)	155
Preparation for Storage.....	156
Preparation After Storage.....	157
COMMON PROBLEMS AND CAUSES.....	158
GENERAL TORQUE CHART	161
CRUCIAL TORQUE CHART	161
CFMOTO RIDE App / TELEMATICS BOX.....	165

FOREWORD

Thank you for purchasing a CFMOTO vehicle, and welcome to our world-wide family of CFMOTO enthusiasts. Be sure to visit us online at www.cfmoto.com for the latest news, new product introductions, upcoming events, and more.

CFMOTO is an international company that specializes in the development, manufacture, and marketing of motorcycle, e-motorcycle, e-bicycle, all-terrain vehicles, utility vehicles, large displacement motorcycles, and their core components. Founded in 1989, CFMOTO is devoted to the development of independent brand cultivation and R&D innovation.

CFMOTO products are currently distributed through more than 2000 companions worldwide in more than 100 countries and regions. CFMOTO is edging into the advanced ranks in the world of powersports, and aims to supply superior products to dealers and fans globally.

For safe and enjoyable operation of your vehicle, be sure to follow the instructions and recommendations in this owner's manual. Your manual contains instructions for minor maintenance. Information about major repairs is outlined in the CFMOTO Service Manual.

Your CFMOTO dealer knows your vehicle best and is interested in your total satisfaction. Be sure to return to your dealership for all of your service needs during, and after, the warranty period.

Due to constant improvements in the design and quality of production components, some minor discrepancies may result between the actual vehicle and the information presented in this publication.

Depictions and/or procedures within are intended for reference use only.

Before every ride, please inspect your vehicle and follow the basic maintenance procedures before riding.

Please keep this manual together with your vehicle, even when transferring the vehicle to others.

Zhejiang CFMOTO power Co., Ltd reserves the final explanation rights of the owner's manual.

This manual is for the following vehicles: CF650-10 / CF650-10H

 **DANGER**

Operating, servicing and maintaining on-road or off-road vehicles can expose you to chemicals including engine exhaust, carbon monoxide, phthalates, and lead, which are known to cause cancer and birth defects or other reproductive harm. To minimize exposure, avoid breathing exhaust, do not idle the engine except as necessary, service your vehicle in a well-ventilated area and wear gloves or wash your hands frequently when servicing your vehicle.

Depictions and/or procedures within are intended for reference use only. The content in this publication is based on the latest production information available at the time of approval for printing.

CFMOTO reserves the right to make changes at any time without notice and without incurring any obligation.

EVAP System (Evaporative Emission Control System)

(If equipped)

When required by environmental emissions regulations, this vehicle is manufactured with a fuel evaporation system (EVAP) to prevent fuel vapors entering the atmosphere from the fuel tank and fuel system.

During routine maintenance, visually inspect all hose connections for leaks or blockage. Ensure the hoses are not clogged or kinked, which could damage the fuel pump or distort the fuel tank. No other maintenance is necessary.

Contact your dealer if repair is required. Do not modify the EVAP system. Modifying any part of this system will violate environmental emissions regulations.

Signal Words

A signal word calls attention to a safety message or messages, a property damage message or messages, and designates a degree or level of hazard seriousness. The standard signal words in this manual are: “DANGER”, “WARNING”, “CAUTION” and “NOTE”.

The following signal words and symbols appear throughout this manual and on your vehicle. Your safety is involved when these words and symbols are used. Please be familiar with their meanings when reading the manual:

 DANGER

This safety alert and icon indicates a potential hazard that may result in serious injury or death.

 WARNING
--

This safety alert and icon indicates a potential hazard that may result in minor or moderate personal injury and/or damage to the vehicle.
--

 CAUTION
--

This safety alert and icon indicates a potential hazard that may result in damage to the vehicle.

NOTE:

A note or notice will alert you to important information or instructions.

**READ THE OWNER'S MANUAL
FOLLOW ALL INSTRUCTIONS AND WARNINGS**

 WARNING

Read, understand, and follow all of the instructions and safety precautions in this manual and on all product labels. Failure to follow the safety precautions could result in serious injuries or deaths.

 WARNING

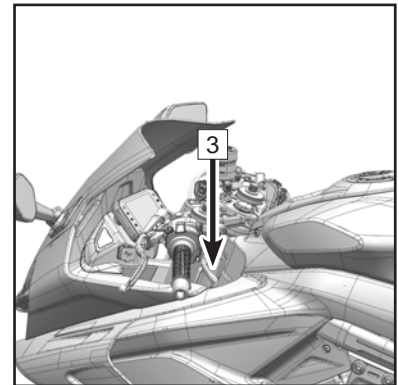
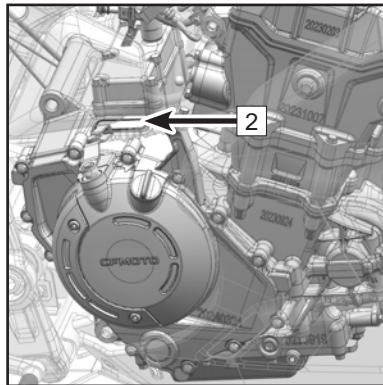
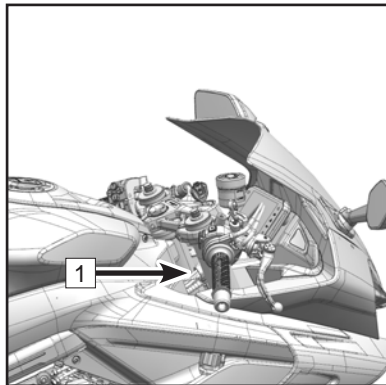
The engine exhaust gas from this product contains CO, which is deadly and can cause headaches, giddiness, loss of consciousness, or even death.

VIN AND ENGINE SERIAL NUMBER

Please record the VIN, engine serial number and name plate information in the spaces below.

Vehicle Identification Number:

Engine Serial Number:



1	VIN	2	Engine Serial Number	3	Vehicle Plate
---	-----	---	----------------------	---	---------------

SPECIFICATIONS

	675SR-R	
	CF650-10	CF650-10H
Performance		
Max power	93.8 Hp (70 Kw) / 11000 rpm	88.5 Hp (66 Kw) / 11000 rpm
Max torque	51.6 ft-lb (70 N•m) / 8250 rpm	50.1 ft-lb (68 N•m) / 8250 rpm
Min. turn diameter	17.1 ft (5.2 m)	
Top designed speed	136 mph (219 km/h)	
Size		
Length	79.5 in (2020 mm)	
Width	28.6 in (728 mm)	
Height	43.5 in (1105 mm)	
Wheelbase	55.1 in (1400 mm)	
Seat height	31.8 in (810 mm)	
Ground clearance	5.5 in (140 mm)	
Curb weight	430 lb (195 kg)	
Engine		
Type	Vertical, Cylinder in-line, Three Cylinder, Four stroke, Liquid cooled	
Displacement	674 cm ³	
Borexstroke	2.83 in × 2.17 in (72 mm × 55.2 mm)	
Compression ratio	11.5 (± 0.3) : 1	
Starting system	Electric starter	
Fuel supplying system	EFI	

Ignition control system	ECU Ignition	
Lubricating system	Pressure splash	
Oil capacity	When changing an oil filter: 3.27 qt (3.1 L)	
Engine oil type	SAE 10W-40 SN or higher JASO MA2	
Coolant capacity	57.4 oz (1700 mL) + 9.2 oz \pm 0.6 oz (284 mL \pm 20 mL) (Reservoir)	
Coolant type	CFMOTO recommended organic coolant, do not use inorganic coolant	
Idle speed	1300 r/min \pm 130 r/min	
Transmission		
Transmission type	6-speed, international standard gear	
Clutch type	Wet, multi disc, sliding	
Driving system	Chain drive	
Primary reduction ratio	1.786	
Final reduction ratio	3.200	
Gear ratio	1 st	2.867
	2 nd	2.053
	3 rd	1.565
	4 th	1.286
	5 th	1.107
	6 th	0.967
Chassis		
Tire size	Front	120 / 70 ZR17 M / C 58W
	Rear	180 / 55 ZR17 M / C 73W
Rim size	Front	MT3.5 \times 17
	Rear	MT5.5 \times 17

Capacity of fuel tank	3.9 gal \pm 0.13 gal (15 L \pm 0.5 L)
Storage capacity of fuel tank when meter is flashing (max)	0.5 gal (1.9 L)
Average fuel consumption per 100 km	\leq 1.4 gal (5.3 L)
Electric Components	
Battery	12V / 11.2Ah
Headlight	LED
Turn light	LED
Tail light	LED
Shock Absorbers	
Front shock absorber travel	5.1 in (130 mm)
Front shock absorber preload	Factory setting height: 0.45 in (11.5mm)(Exposed height of the upper part screwthread of the shock absorber)
	Adjustable range: 0.15 in ~0.74 in (4mm~19mm)
Front shock absorber rebound damping adjustment	Factory setting: 10 Total available settings: 20 \pm 2
Front shock absorber compression damping adjustment	Factory setting: 10 Total available settings: 20 \pm 2
Rear shock absorber travel	1.8 in (44.5 mm)
Rear shock absorber rebound damping adjustment	Factory setting: 10 Total available settings: 20 \pm 2
Rear shock absorber compression damping adjustment	Unadjustable
Rear shock absorber spring preload	Factory setting: 4 Total available settings: 10

OPERATOR SAFETY

General Safety Precautions

WARNING

Please read this manual carefully before operating the vehicle and understand all safety warnings, precautions and operating procedures.

Age Limit

This model is for adults only. The operator must acquire a driving license as required by local laws and regulations, and children under the age of 12 are not allowed to ride CFMOTO's passenger-carrying vehicles.

Know Your Vehicle

As the operator of the vehicle, you are responsible for your personal safety, the safety of others, and the protection of the environment. Read and understand your owner's manual, which includes valuable information about all aspects of your vehicle, including safe operating procedures.

Equipment Modifications

CFMOTO is concerned with the safety of our customers and of the general public. Therefore, we strongly recommend that consumers should not mount on a vehicle, any equipment that may increase the speed or power of the vehicle, or make any other modifications to the vehicle for these purposes. Any modifications to the original equipment of the vehicle create substantial safety hazards and increase the risk of body injury. The warranty on your vehicle is terminated if any unapproved accessory equipment has been added to the vehicle, or if any modifications have been made to the vehicle that increase its speed or power.

NOTE: Some equipment may change the handling and performance of the vehicle, including but not limited to side boxes, exhaust pipes, side wheels, etc. Use only approved equipment and familiarize yourself with its functions and roles on the vehicle.

Avoid Carbon Monoxide Poisoning

All engine exhaust contains carbon monoxide, a deadly gas. Breathing carbon monoxide can cause headaches, dizziness, drowsiness, nausea, giddiness and even death. Carbon monoxide is a colorless, odorless, tasteless gas that may be present even if you do not see or smell any engine exhaust. Deadly levels of carbon monoxide can accumulate rapidly, and you can quickly be overcome and unable to save yourself. Also, deadly concentration of carbon monoxide can remain for hours or days in enclosed or poorly ventilated areas.

To prevent serious injury or death from carbon monoxide:

- Never run the vehicle in poorly ventilated or partially enclosed areas.
- Never run the vehicle outdoor where engine exhaust can be drawn into a building through openings such as windows and doors.

Avoid Gasoline Fires and Other Hazards

Gasoline is extremely flammable and highly explosive. Fuel vapors can spread and be ignited by a spark or flame many feet away from the engine. To reduce the risk of fire or explosion, follow these instructions:

- Use an approved gasoline tank to store fuel.
- Strictly adhere to proper fueling procedures.
- Never start or operate the engine if the fuel cap is not properly mounted. Gasoline is poisonous and can cause injury or death.
- Never siphon gasoline by mouth.
- If you swallow gasoline, get any in your eye (s) , or inhale gasoline vapor, see a doctor immediately.
- If gasoline spills on you, wash with soap and water and change your clothes.
-

Fuel Minimum Octane Rating and Safety Warnings

The recommended fuel for your vehicle is E5 or 95(ROn). Non-oxygenated (ethanol-free) fuel is recommended for best performance in all conditions.

 **WARNING**

Gasoline is highly flammable and explosive under certain conditions. Allow the engine and exhaust system to cool before filling the tank. Always be highly cautious whenever handling gasoline. Always refuel the vehicle when the engine is stopped outdoors or in a well-ventilated area. Do not smoke or allow open flames or sparks in or near the area where refueling is performed, or where gasoline is stored.

Do not overfill the tank. Do not fill fuel to the tank neck.

If gasoline spills on your skin or clothing, immediately wash it off with soap and water and change clothing. Never start the engine or let it run in an enclosed area. Engine exhaust fumes are poisonous and can cause loss of consciousness or death in a short time. The engine exhaust from this product contains chemicals known to cause cancer, birth defects or other reproductive harm. Operate this vehicle only outdoors or in well-ventilated areas.

Avoid Burns From Hot Parts

The exhaust system and engine become hot during operation. Avoid touching them during and shortly after operation to avoid burns.

Owner Responsibilities

Be Qualified and Responsible

Read this Owner's Manual and the warning labels on this vehicle carefully. Take a safety training course on open areas if possible and practice at low speed. Higher speed requires greater experience, knowledge and suitable riding conditions. Be familiar with the control technology and the general operations of the vehicle.

This vehicle is an ADULT VEHICLE ONLY. The operator must acquire a driving license as required by local laws and regulations. Operators must be tall enough with physical capacity to: be properly seated, hold the handlebar with both hands, fully operate the clutch lever with the left hand, fully operate the brake lever with the right hand, fully operate the foot brake lever with the right foot, be able to firmly put both feet on the foot pegs, and be able to balance the vehicle with the feet when stopped and seated.

Carrying a Passenger

- Only carry one passenger. The passenger must be properly seated in the passenger seat.
- The passenger should be over 12 and be tall enough to always be properly seated when holding handhold, and feet firmly put on the foot pegs.
- Never carry a passenger who has used drugs or alcohol, or is tired or ill. These slow reaction time and impair judgment.
- Instruct the passenger to read the vehicle's safety labels.
- Never carry a passenger if you think that their ability or judgment is insufficient to concentrate on the terrain conditions and adapt accordingly.

Safe Riding Gear

Always wear clothing suited to the type of riding for the driver and passenger, including:

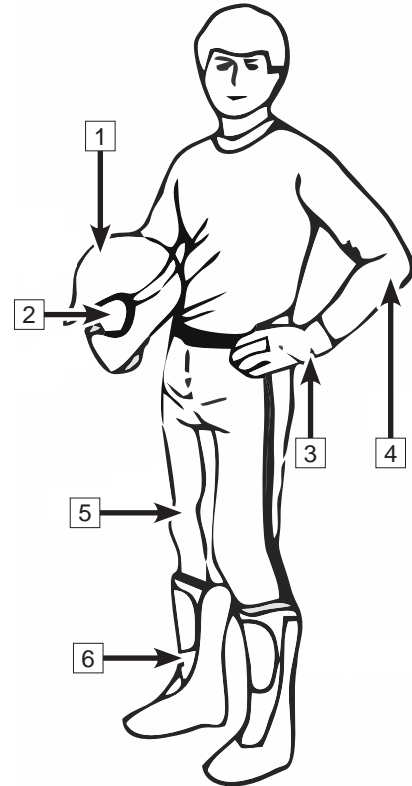
1. An approved helmet
2. Goggles
3. Gloves
4. Long-sleeved shirts or jackets
5. Long pants
6. Over-the-ankle boots

According to the actual weather, you may need extra apparel, such as anti-fog goggles, thermal underwear and a face guard for cold weather. The operator must never wear loose clothing that may get entangled in the vehicle or on tree branches and shrubs.

Helmets and Goggles

An approved helmet can prevent a serious head injury if an accident occurs. Please note that even the best helmet is no guarantee against injury.

The helmet you choose should meet the standard for your country or area and its size should suit you. A closed-face helmet with face shield will be better at preventing impacts from insects, flying rocks, dust and scattered debris, etc.



An open-face helmet cannot offer the same protection for your face and jaw. Please wear detachable face masks and goggles when wearing an open-face helmet.

Do not depend on eyeglasses or sunglasses for enough eye protection, as they are not rated for impact protection. Debris may fly up and break a lens, causing eye injury.

Use tinted masks or goggles only during the day in bright light, do not use them at night or in poor light. They may affect your ability to distinguish colors. Do not use them if your color discrimination is affected.

Gloves

Full-finger gloves could protect your hands from wind, sun, heat, cold, and splash. Well-fitted gloves are helpful for steering and relieving hand fatigue. If the gloves are too heavy, it will be difficult to operate the vehicle.

A pair of strong motorcycle gloves offers protection for your hands in the event of an accident or turnover. Snowmobile gloves offer better protection when operating in cold areas.

Jackets, Pants and Motorcycle Suits

Wear a jacket or a long-sleeved shirt and long pants, or a full set of riding suit. Quality protective gear will provide comfort, and it can help you avoid being distracted by adverse environmental elements. In case of an accident, good quality protective gear made of sturdy material may prevent or reduce injury.

When riding in a cool weather, protect yourself against hypothermia which is a state of low body temperature and can cause loss of concentration, slowed reactions and loss of smooth, precise muscle movement. In cool conditions, proper protective gear like a windproof jacket and insulated layers of clothing are essential. Even while riding at moderate temperatures, you can feel very cold due to the wind.

Protective gear that is appropriate for cold-weather riding may be too hot when the vehicle is stopped.

Dress in layers so that clothing can be removed as desired. Topping the protective gear with a windproof outer layer can prevent cold air from reaching the skin.

Boots

Always wear closed-toe, over-the-ankle boots. Sturdy over-the-ankle boots with non-slip soles offer more protection, and allow you to put your foot properly on the foot pegs. Avoid long shoelaces that could get entangled in the vehicle components. In winter, rubber-soled boots with either nylon or leather uppers and removable felt liners are best suited. Avoid rubber boots which may get trapped behind or in the foot brake pedal, impairing proper operation.

Other Riding Gear

Rain Gear

When riding in rainy weather, a rain suit or a waterproof riding suit is recommended. On long rides, it is a good idea to carry rain gear. Keeping clothes dry is beneficial for keeping operators being much more comfortable and alert.

Hearing Protection

Long-term exposure to wind and engine noise when riding can cause permanent hearing loss. Properly worn hearing protective gear such as earplugs can help prevent hearing loss. Check local laws before using any hearing protective gear.

General Information

General Precautions Before Riding

1. Passengers should be familiar with the vehicle's performance. An improperly seated passenger can impact motorcycle stability and/or control. Passengers should stay balanced and stably seated when riding. They should neither influence the driver's operating nor carry animals.
2. Package luggage as low as possible to help stabilize the vehicle. Evenly distribute luggage on both sides of the motorcycle, and avoid luggage extending too far beyond the back of the motorcycle. It is not recommended to carry the luggage if it is not necessary.
3. If it is in need of carrying the luggage. Firmly secure luggage on the motorcycle, and ensure that luggage is unmovable before riding. Re-check luggage during travel breaks. If luggage becomes unstable during the trip, stop the vehicle and re-adjust it.
4. Do not carry overloaded or oversized luggage. Overloading influences the vehicle's handling and power performance.
5. Do not mount any parts or luggage that will reduce vehicle performance. Make sure that each operation will not affect the lights, ground clearance, brake performance, side tilt, operating performance, tire compression ratio stroke, front fork or related riding performance.
6. Increased weight on the handlebar or front fork affects steering and can cause safety issues.
7. An air deflector, back or other large component will affect vehicle stability and performance. It increases the vehicle's weight and reduces the power performance. A lack of design verification may cause safety issues.
8. This vehicle cannot be modified to a side tricycle. Do not use it for towing a trailer or other vehicle. CFMOTO will not be responsible for damage or problems caused by improper modifications.

Maximum loading weight setting from the factory: 330 lb (150 kg)(including driver, passenger, luggage and attachment)

Maximum passenger number (including driver): 2 people

AVOID DANGEROUS RIDING BEHAVIORS

The following behaviors may cause serious consequences, so instructions must be followed to avoid dangerous behaviors.

Operation Errors

⚠WARNING: Operation errors may cause serious damage to the operator, passenger and people around.

Read every instruction in this manual and be familiar with every function of this vehicle. Must participate in the safety training and know how to operate the vehicle properly in different situations and on different types of terrain.

Age Limit

⚠WARNING: It is restricted to allow underage people to ride the vehicle and people under 12 to be passengers.

Severe injury and/or death could occur if a child under the minimum age limit operates this vehicle. Even though a child may be within the recommended age group for operating, he/she may not have the skills, abilities, or judgment needed to operate safely and could be susceptible to accidents or injuries. The vehicle can only be operated by people of legal age with safe driving skills and the required license.

Illegal Carrying

⚠WARNING: It is restricted to carry more passengers than allowed.

Carrying more passengers than allowed is illegal and will much affect the vehicle's riding performance and may cause serious accidents.

Riding on Unpaved Roads

⚠️WARNING: The vehicle must not ride on unpaved roads.

The tires of this car are designed to drive on paved roads, not suitable for use on unpaved roads such as sand, mud, puddles and dirt roads. Driving on unpaved roads will seriously affect vehicle handling, which will greatly increase the incidence of accidents. If it is impossible to avoid short periods of driving on unpaved roads, reduce your speed and ensure that you do not make sharp turns, sudden braking, etc.

Safe Riding Gear

⚠️WARNING: Riders must wear an approved helmet, goggles and protective clothing when riding.

Unapproved helmets increase the risk of head injury and death in the event of an accident. Failure to use goggles increases the risk of eye injury and death in the event of an accident. Always wear a whole set of gear to reduce accidents and increase your own protection.

Drinking and Medication

⚠️WARNING: Do not operate a vehicle under the influence of alcohol, medication or drugs.

Drinking, taking medication and taking drugs will seriously affect drivers' judgment and reaction ability, as well as their perception and balance, which will greatly increase the incidence of accidents. Do not operate vehicles after drinking, taking medication or taking drugs.

Speeding

⚠️WARNING: No speeding.

Speeding increases the risk of losing control of the vehicle, leading to accidents. Choose your driving speed based on vehicle load, terrain, visibility, driving conditions, and never exceed the maximum speed.

Stunts

⚠️WARNING: Do not try stunts.

All stunts are dangerous, including but not limited to slippery tires, jumping, side-slip, front wheel upturn, etc. Stunt or demonstration riding can result in serious accidents. Always use normal driving methods.

Inspections and Maintenance

⚠️WARNING: Check vehicle conditions before riding and service the vehicle regularly.

Checking vehicle conditions before riding can reduce the probability of accidents. Maintain the vehicle regularly to ensure the equipment is in good condition. Please follow the instructions for inspection and before driving and regular maintenance.

Lift Hands and Feet From the Vehicle

⚠️WARNING: Do not lift your hands off the handlebars or your feet off the pedals when riding.

Even leaving with only one hand or foot can reduce your ability to control the vehicle or cause you to lose your balance and fall off from the vehicle. If the driver's feet are not firmly put on the pedal, they may be unable to operate the brake or accelerator in time or may be influenced by external environmental factors, resulting in an accident.

Tire Size

⚠️WARNING: Do not use tires with wrong gauge, wrong tire pressure or uneven tire pressure.

Wrong tires may cause accidents. It is forbidden to use wrong tires. Check the tire pressure regularly to ensure that the tires are always within the normal pressure range.

Modifications

⚠️ WARNING: Any non-standard modifications are prohibited.

Any modifications will affect vehicle handling, which can lead to accidents. It is prohibited to mount any equipment which would increase the speed or power of the vehicle, or to make any other modifications to the vehicle for these purposes. All equipment and accessories added to the vehicle must be original or designed for use on the vehicle.

Keys

⚠️ WARNING: Do not leave keys on the vehicle. Lock the stem lock before leaving the vehicle.

Keys left on the vehicle may result in unauthorized use of the vehicle, causing an accident or property damage, so please take away the key when the vehicle is not in use.

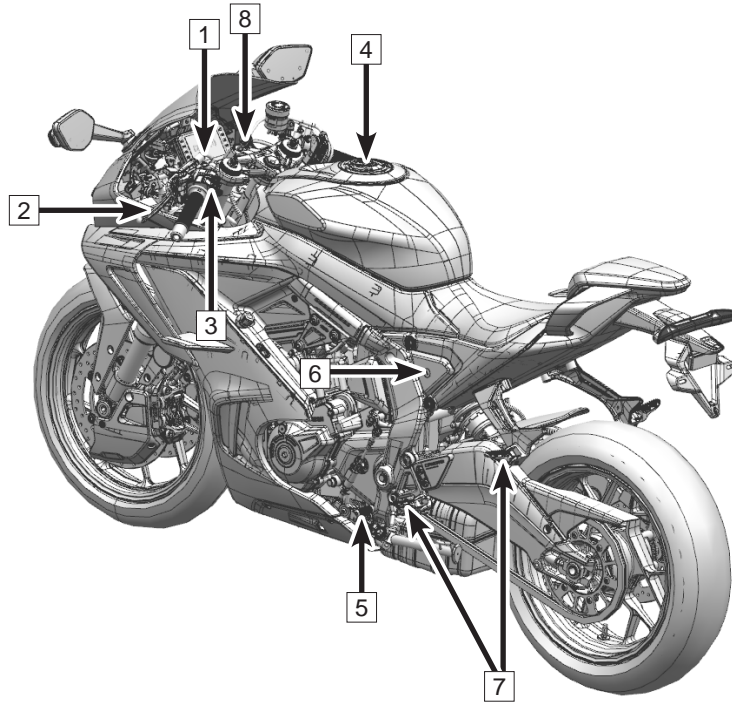
Dangerous Transportation

⚠️ WARNING: Do not transport flammable, explosive or other dangerous goods.

Transportation of dangerous goods may cause serious injuries or accidents.

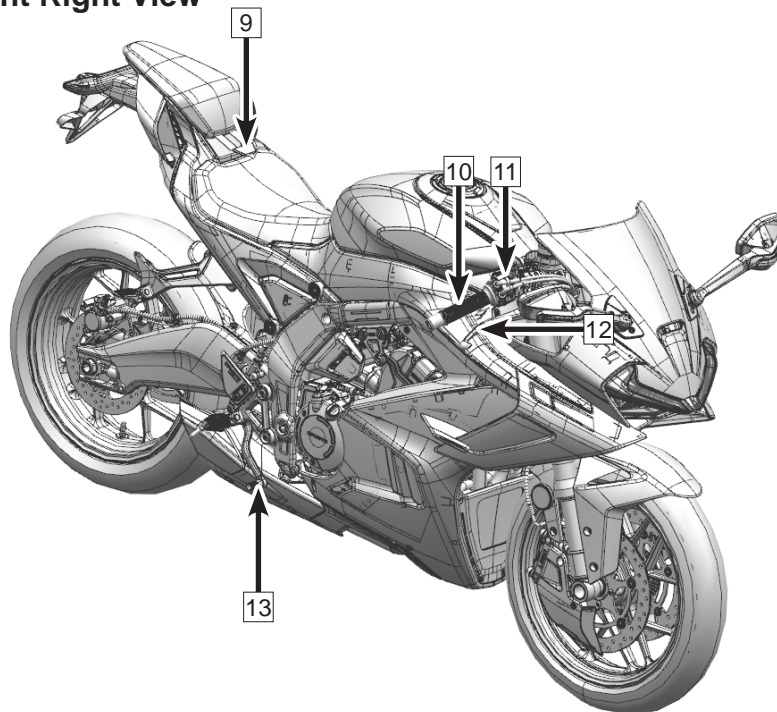
VEHICLE VIEW

Rear Left View



- 1: Instrument
- 2: Clutch Lever
- 3: Handlebar Switch, LH
- 4: Fuel Tank Lock
- 5: Gear Shift Lever
- 6: Seat Lock
- 7: Footrest Kit
- 8: Ignition Switch Lock

Front Right View



- 9: Passenger Handhold
- 10: Throttle Grip
- 11: Handlebar Switch, RH
- 12: Front Hand Brake Lever
- 13: Rear Hand Brake Lever

OPERATING PARTS

Clutch Lever

Clutch lever **1** is on the left side of handlebar. The clutch is a cable clutch.

Adjust the clutch lever's distance to the handlebar by turning the clutch lever adjusting knob.

As the photo shown, follow the clockwise to rotate the adjusting knob means the clutch lever approaches the handlebar.

As the photo shown, follow the counterclockwise to rotate the adjusting knob means the clutch lever is far away from the handlebar.

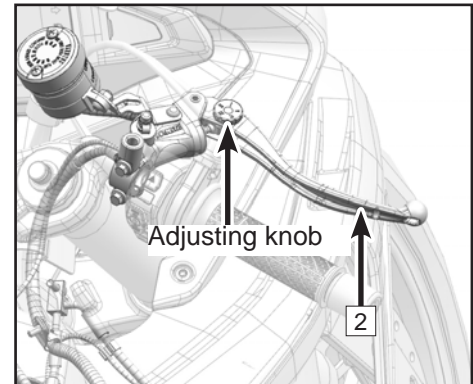
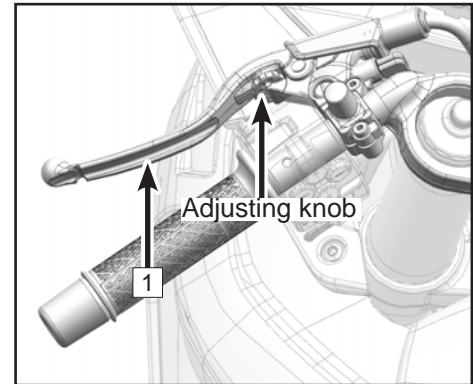
Front Hand Brake Lever

Front hand brake lever **2** is on the right side of handlebar. Front brake caliper activates braking by using the front hand brake lever.

Adjust the braking lever's distance to the handlebar by turning the hand brake lever adjusting knob.

Hand brake lever has 5 gears (I-V), the larger of gear means more further the hand brake lever, the smaller of gear means more closer from the hand brake lever.







The adjusting range of the brake hand lever and the clutch lever is limited. Do not rotate the knob abruptly, only by hand. Do not adjust it during riding.

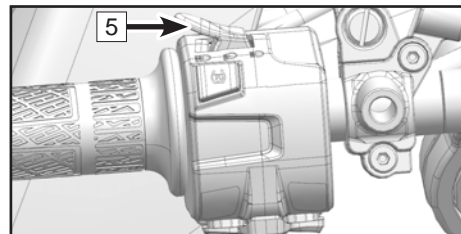
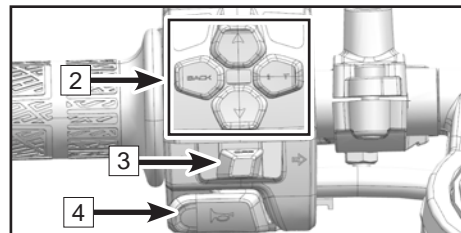
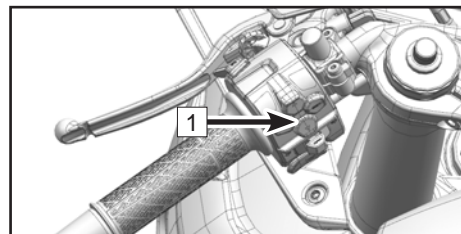



Handlebar Switch, LH

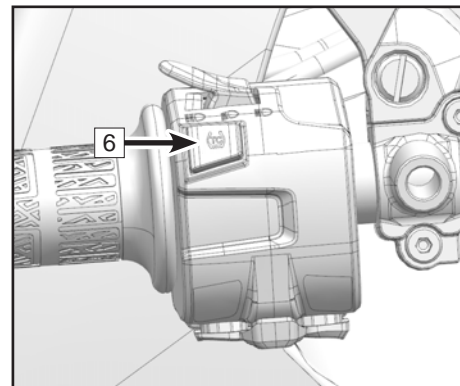
Left handlebar switch **1** is on the left side of the handlebar.

Functions of Left Handlebar Switch

2	Instrument button	Instrument operations, please refer to INSTRUMENT.	
3	Turning light switch		Push this switch to the right, the right turning light will be on.
			Push this switch to the left, the left turning light will be on.
		OFF	Push this switch the turning light will be canceled.
4	Horn button		Press and the horn will sound.
5	Dimmer push switch		Press this button, passing light will flash.
			Turn to this position, high beam lights will be on.
			Turn to this position, low beam lights will be on.







6	TC button		<p>Long press the button > 1 second to activate the TC function when the TC is off. If the TC is in a fully open state (2nd gear), press the button to switch between the fully-open state (2nd gear) and a half-open state (1st gear), long press the button > 1 second to turn off TC.</p> <p>Press the button to switch between a fully open state and a half-open state when TC is on. Long press the button > 1 second to turn off the TC.</p>
---	-----------	---	--

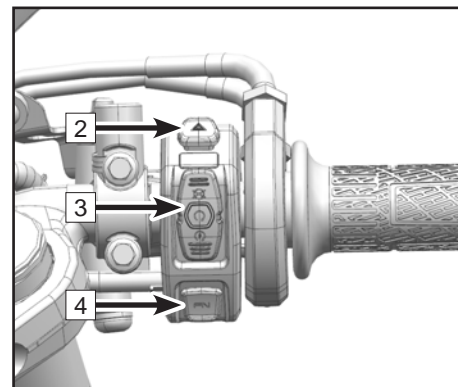
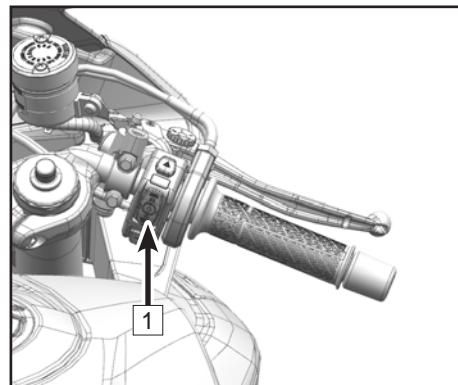


Handlebar Switch, RH

Right handlebar switch **1** is on the right side of the handlebar.

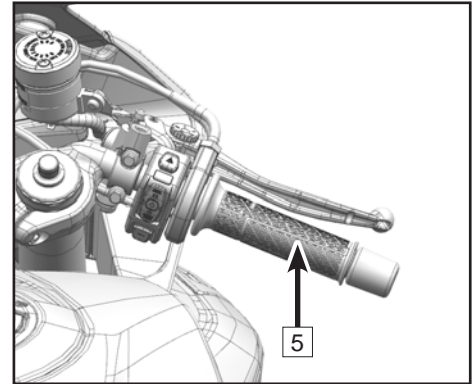
Functions of Right Handlebar Switch

2	Hazard flasher switch		Press to turn on the hazard flasher light.
3	Start and stop switches		Turn to this position to shut off the vehicle.
			Turn to this position to prepare the vehicle for starting.
			Turn to this position to start the vehicle.
4	Function switch	FN	Press to the cyclic FN menu, press again to switch to the next function. Using \triangle or ∇ switch on the LH handlebar to adjust this function.



Throttle

Throttle 5 is on the right side of the handlebar.



Locks

Fuel Tank Lock **A**

Open the fuel tank cap

Pre-work: The vehicle must be stopped, and the engine must be off.

Flip up the fuel tank lock press plate **1**.

Insert the ignition key **2** and rotate clockwise to unlock.

Open the fuel tank cap **3**.

NOTE: The ignition key may be broken if overloading. If it happens, it is necessary to replace with a new one.

Close the fuel tank cap

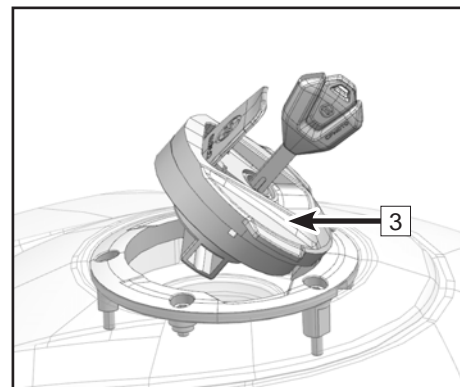
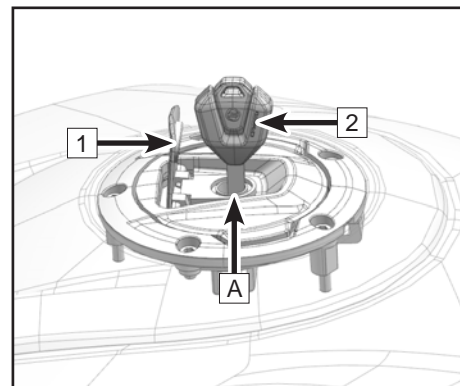
Flip down the fuel tank cap **3**.

Press down the fuel tank cap **3** until the fuel tank is locked.




Take out the ignition key **2** and flip down the press plate **1**.

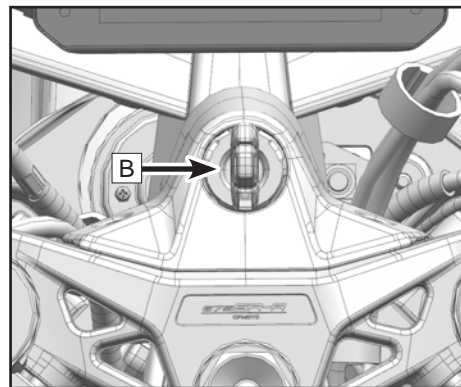
⚠ WARNING

Inspect whether the fuel tank cap is locked completely after it's closed.





Ignition lock/handlebar lock B

Handlebar lock		Turn the handlebar to the left, and then turn the key to the lock indicator to lock the handlebar.
Stop		Turn the key to this position to stop the engine and disconnect the vehicle's power circuits.
Start		Turn the key to this position to start the engine and connect the vehicle's power circuits. The key cannot be moved.



Locking/release the handlebar system

NOTE: Place the vehicle on the firm and flat ground or the vehicle may sliding or tip over.

Lock	Shut off the vehicle, turn the handlebar to the left end, press down and turn the key to the left to '  '. Then remove the ignition key.
Unlock	Insert the key to the ignition lock and handlebar lock kit, press and turn to the right '  ' to release the handlebar (Turn the handlebar to the left end to better unlock). Then remove the ignition key.

CAUTION

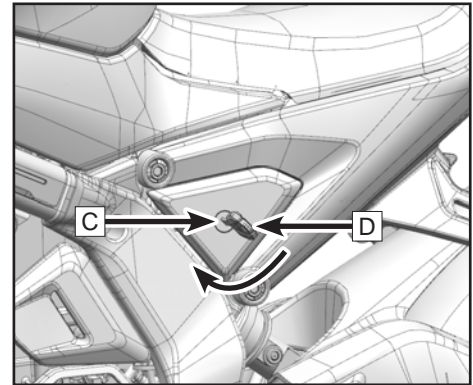
Do not turn on the power supply for a long time when the engine is not started, which may cause the power loss and the engine cannot work normally.

Seat Lock C

The seat lock C is on the left side of the vehicle.

The rear seat can be removed by inserting the ignition key D and turning to release the lock.

The removal of the front seat (refer to battery removal chapter).



Gear Shift Lever

The gear shift lever [1] is on the left side of the engine, adjusting the position of the gear shift lever to suit your personal driving habit.

Both ends screw tread of the middle connecting rod are adjustable, and the adjustment range of the single side is 0 in ~ 0.27 in (0mm~7mm).

Loosen the locking nuts [2] at both ends.

Rotate the middle connecting rod [3] to adjust the height of the shift lever.

Rotate clockwise [a] the center connecting rod to raise the gearshift lever [3]. (If the shift lever is in race gear, lower the shift lever as described above)

Rotate counterclockwise [b] the center connecting rod to lower the gearshift lever [3]. (If the shift lever is in race gear, raise the shift lever as described above)

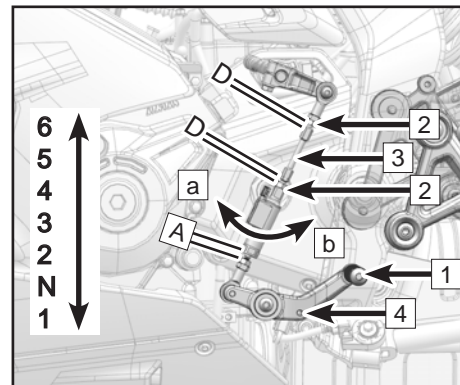
Relock the nuts [2].

Torque: 4.4 ft-lb (6 N•m)

NOTE: The length of the screwthread [A] is unadjustable.

Vehicle can riding with the race gear.

It is available to use the race gear if mount the lower end of the connecting rod to the end point [4].

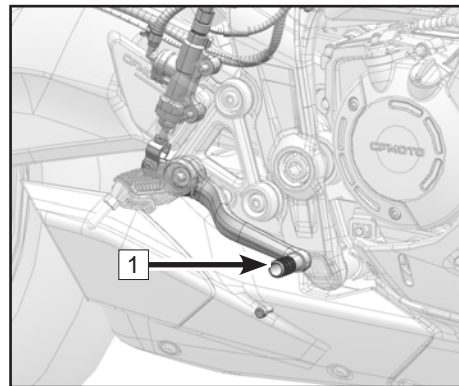


⚠ WARNING

The shift direction of race shifting is opposite of international shifting. This function is recommended only for trained personnel. Non-professionals should not use race shifting if they are untrained or unfamiliar with it. Shifting mistakes can result in serious injury or death.

Rear Brake Lever

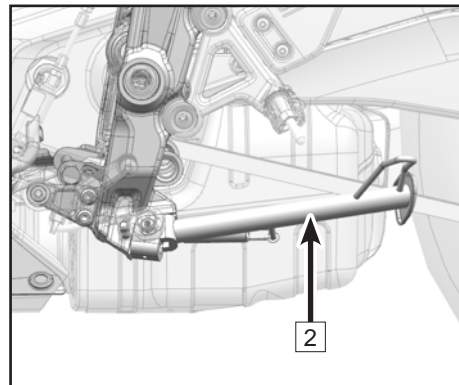
The rear brake lever **1** is on the right side of the engine. Step on the rear brake lever to slow or stop the vehicle.



Side Stand

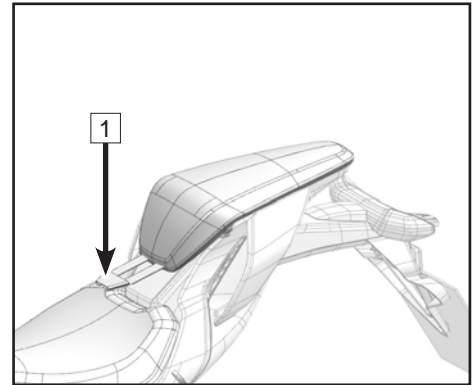
The side stand **2** is on the left side of the vehicle, and is used for parking;

When the side stand is lowered, the vehicle can only be started with neutral gear.

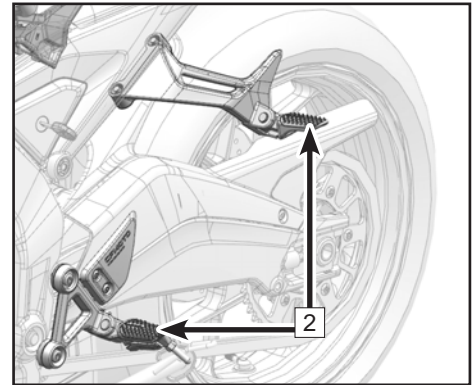


Passenger Handhold and Footrests

The passenger handhold **1** is fixed on the motorcycle and can be held by the passenger, such as a pulling belt or handle, etc.



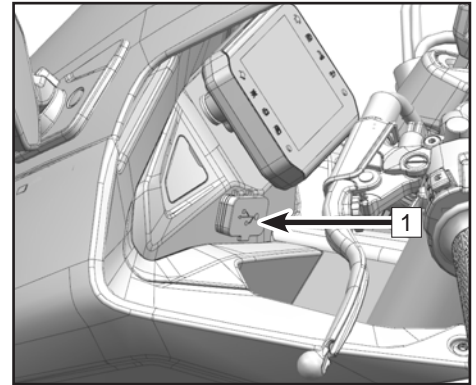
Footrests are pedals or footboards **2** fixed on the motorcycle for the operator and passenger to put their feet.



USB Output Seat Kit

The USB output seat kit 1 is on the left side of the vehicle, and is used for connecting cellphone and other digital advices.

The USB output seat kit including one Type-A connector and one Type-C connetor.



INSTRUMENT

NOTE

Due to function, adjustment, and version updates of the instrument and renewed vehicle configurations by market, some contents of the instrument may change. Please selectively refer to this section according to your vehicle.

Instrument

The instrument is mounted at the front side of the handlebar and divided into two function areas:

1: Instrument Indicators

2: Instrument Display

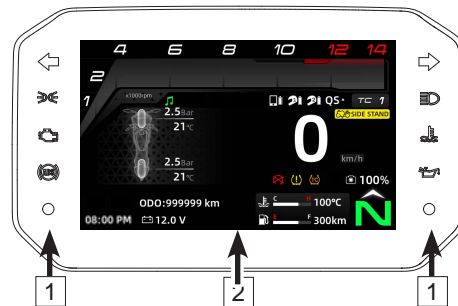
Activation and Testing

Activation

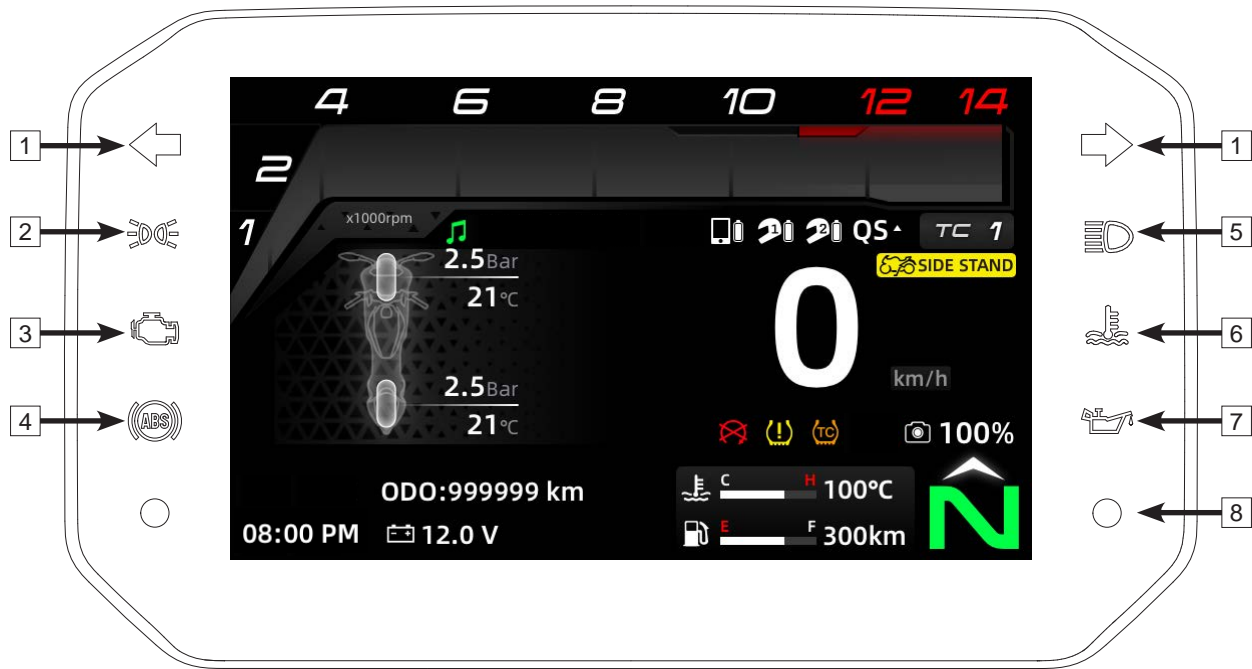
The instrument is activated synchronously when the motorcycle is powered on.




Testing






Upon activation, the instrument goes into self-inspection mode, in which a start-up animation displays and indicator lights are turned on. At this time, the selection button will not respond until the self-inspection has completed.



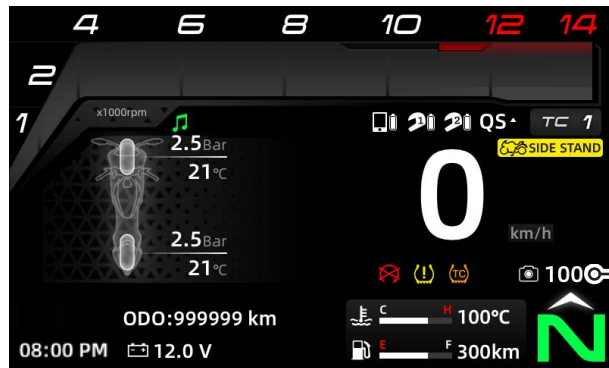
Instrument Indicators



Number	Symbol	State	
1		Flash	<p>When turning signal indicators are flashing, the corresponding turning lights are on.</p> <p>The priority of the turning signal indicator flash(if equipped): 1. Top priority: bumping alarm, emergency brake flash, anti-theft alarm and other kinds of alarm flashes. 2. Middle priority: hazard alarm flash indicator, turning signal indicator. 3. Last priority: Self-centering steering automatically, the vehicle searching and other functions.</p> <p>1. If there is a high-priority request while the low-priority one is being executed, the low priority one is suspended. After the higher level request is done, the lower one still exists, it will be carried on following.</p> <p>2. For the same priority items, the latter on request will be executed first. If the previous request still exists, it will be carried on following.</p> <p>3. Once the auxiliary functions, such as self-centering steering and vehicle searching have been interrupted, they will be canceled.</p>
2		On	<p>When the position light indicator is on, the position light is turned on.</p>
3		On	<p>When the vehicle is powered on and the engine is off, the fault indicator is on. If the engine is not off but the fault indicator is also on, then this means that the vehicle detects a fault. When this fault indicator is on, please park the vehicle in line with local laws and regulations, and contact an authorized CFMOTO service center.</p>

4		On	If the vehicle is powered on, the ABS indicator will be on, and the vehicle starts off, it will be off, which is a normal phenomenon. If there is any ABS fault, ABS indicator will be on, and at this time, the ABS system will stop working, but general braking functions may still play their roles. Please reduce the speed and avoid sudden braking and timely contact an authorized CFMOTO service center.
5		On	When the high beam indicator is on, the high beam light is turned on.
6		On	When the coolant temperature is higher than 115°C, the coolant temperature warning indicator will be turned on. Please park the vehicle according to local laws and regulations to wait for the temperature drop. If this indicator turns on frequently, contact an authorized CFMOTO service center.
7		On	When the oil pressure indicator is on, the engine oil pressure is too low, to replenish/replace the engine oil in time to avoid engine damage or fault.
8			When the brightness control indicator is enabled, the photosensitive sensor automatically adjusts its brightness of according to the external environment light.

Instrument Display

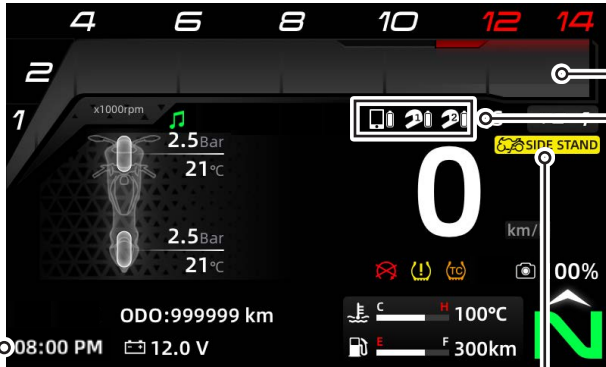


Sports Camera (In the selective markets only)

This feature records riding moments. It can be used only when equipped with T-BOX, and it is only for Insta x3 (launch permission selectively). Users can pay the fee via the CFMOTO RIDE APP (monthly/half-yearly/yearly). Make sure the vehicle is connected to the camera effectively via Bluetooth.

Main functions:

1. Start shooting: When the sporting camera is connected to the vehicle, long press the switch button ∇ on the LH handlebar for > 1 second, which can help to realize the pre-set function of recording/shooting.
2. Stop shooting: When the camera is shooting, to long press the switch button ∇ on the LH handlebar for >1 second, which could stop the shooting.
3. Connection: When the equipment is connected, the UI interface will display the connecting conditions and remaining power of the sporting camera.
4. Shooting state display: The camera icon on the dashboard will turn red with a breathing blinking effect, to remind users of the changes in the shooting condition.
5. Delivery of vehicle information: riding information (speed, gear, RPM, vehicle body tilt tendency, riding track, etc.) can be transmitted via Bluetooth. When editing the video, a CFMOTO module is available.



Side Stand Indicator

When the side stand is used, its indicator light is on. At this time, the motorcycle cannot be started with gear, the vehicle can be started only in the neutral gear.

Clock

The current time is displayed here.
Set the current time through the menu.
Switch between 12 hours and 24 hours through the menu.

Engine RPM

The unit of engine speed is 1000 revolutions per minute.

During the break-in period, avoid too-high engine speed. Avoid engine speed approaching the red zone at all times as much as possible, which will damage the engine life. Avoid high engine speed until the engine is heated up.

Bluetooth

Bluetooth is used to connect mobile phones and helmets.

When a user's mobile phone/helmet is connected to the motorcycle's instrument through Bluetooth, the area will display the mobile logo, helmet logo (helmet 1 and helmet 2), and power remained of the mobile phone, helmet 1 and helmet 2. (Some of the connected equipments may cannot obtain its power remained and display them)

Functions of music and calling can only be used when the phone/helmet is properly connected to the motorcycle.



Music/Calling

When the instrument play music via Bluetooth connected mobile. This area will display the current music. During playing music, users can select the priority while receiving calling. Press SET on the LH handlebar to pick up calling, press BACK on the LH handlebar to hang up.

Quick Gearshift

The icon will be lit up when this function is turned on.

Speed

The current speed per hour is displayed here. Metric km/h and imperial mph can be switched through the menu.

Upshift Alert

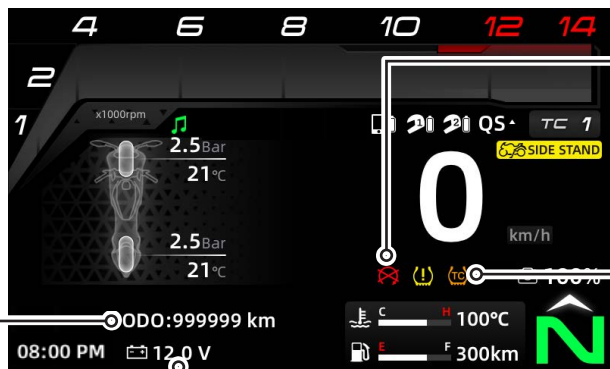
You can enable the Upshift Alert in the menu. It will remind you to change gear when the engine speed reaches the recommended gear-shifting range.

Gear Display

Current gear is displayed here. Neutral gear is displayed in green.

Fuel

Current fuel remained and endurance mileage is displayed here. When the level is low, the indicator will turn yellow. Replenish fuel soon in this situation, or the fuel pump may be damaged.



Stop Indicator Light

When the stop indicator light is on, the stop switch is turned off and the vehicle is off.

Traction Control Indicator

Functions of TC indicator: TC work indicator (TC), TC fault indicator (TC!), TC off indicator (TC).

When the vehicle is powered on, it is normal for the TC indicator to be on. Riding speed is more than 5Km/h, and TC is not enabled, TC indicator light is off and will not light up again at this time. The TC indicator light flashes when riding while the TC is enabled.

The TC off indicator will appear when TC is off. The TC fault indicator will be on if a fault occurs.

When TC has a fault, please contact a CFMOTO dealer for inspection.

Information 2

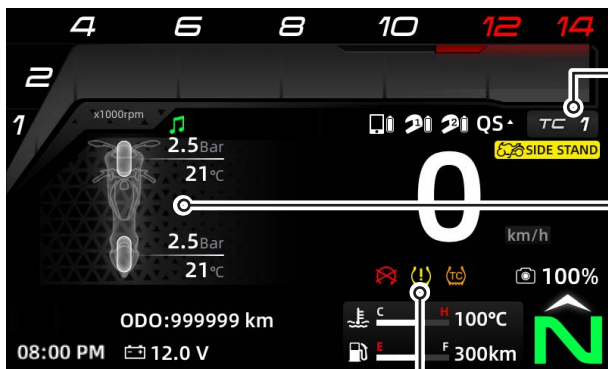
You can select a message from the menu to be displayed here.

Optional Information 2: Range, Voltage, Instant Fuel, Time, Average fuel, Average speed.

Information 1

You can select a message from the menu to be displayed here.

Optional Information 1: ODO, TRIP1, TRIP2.



TC gear

The TC gear is displayed here and it displayed in the vehicle setting.

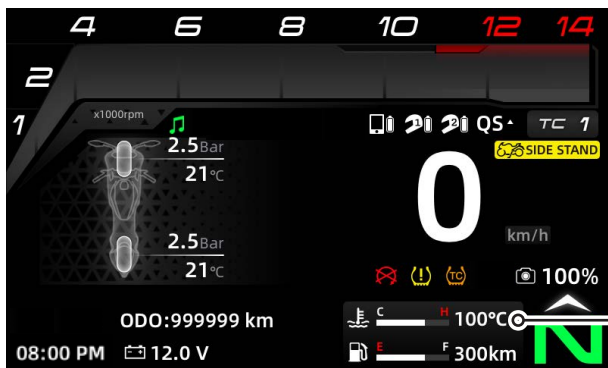
Tire Pressure Display

Front and rear tire pressure and the tire temperatures are displayed here.

Tire Pressure Indicator

Tire pressure indicator will be on when tire pressure is abnormal or it does not receive a tire sensor signal. When this indicator is on, please stop the vehicle and inspect the tire pressure and condition. If an abnormal condition (tire wear and bulge) is found, please contact a CFMOTO dealer for service. If tire condition appears normal, please drive slowly, keep tire pressure at specification, and service the tires soon. If no tire sensor signal, please stop the vehicle, thoroughly inspect the front and rear tires, and contact a CFMOTO dealer for inspection.

NOTE: Inspect tire pressure when the tires are cold.



Coolant Temperature

Current coolant temperature is displayed here. When the coolant has reached a dangerous temperature, this area will turn to red.

WARNING

Extreme temperatures may damage the engine. If the coolant reaches the dangerous temperature, please park the vehicle in line with local laws and regulations, and wait for the coolant temperature to drop.

Please replenish coolant to its proper level after the cooling system has totally cooled. Under normal riding conditions, if the coolant frequently reaches the dangerous temperature, please timely contact an authorized CFMOTO service center.

Instrument Menu

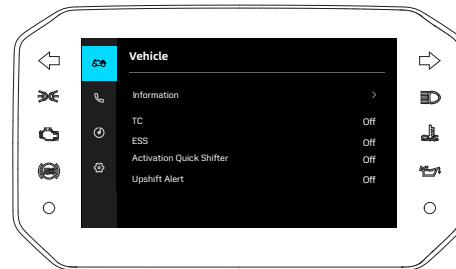
Adjust instrument settings through the instrument menu to enhance the riding experience.

Press menu button on the left handlebar switch to enter the instrument menu.

WARNING

The menu mode is only allowed when the motorcycle is parked and safe.

The menu button is on the left handlebar switch and is used to operate relevant instrument functions.



For Main interface: press it to switch Optional Info 1.

For the first-level menu, second-level and lower menu: press it to select the prior choice.

For Music: at the main interface, press it to increase the volume and long press it to select the prior song. On the Menu interface, press it to increase the volume and long press it to select the prior song.

When on the phone: press it to increase the volume.

FN menu: Press to select the previous option / press to increase the volume.

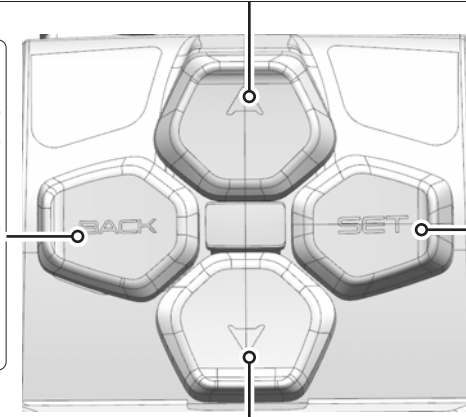
For Main Menu: press it to clear the popup fault window.

For the first-level menu, second-level and lower menu: Press it to return to the prior menu.

For Calling: press it to hang up.

For projection screen: press it to return to the projection screen interface.

For Music: press it to return to the prior menu.



For Main interface: press it to enter the first-level menu, long press it to play the song (Music is not playing and Bluetooth is connected).

For the first-level menu, second-level and lower menu: press it to enter the next menu or to confirm the choice.

For Calling: press it to answer the call.

For Music: at the main interface, press it to enter the first-level menu, and long press it to pause or play.

For music: On the Menu interface, press it to pause or play.

For Main interface: press it to select Optional Info 2.

For the first-level menu, second-level and lower menu: press it to enter the next menu.

When on the phone: press it to decrease the volume.

For Music: at the main interface, press it to decrease the volume, and long press it to select the next song. For music: On the Menu interface, press it to decrease the volume, and long press it to select the next song.

FN menu: Press to select the next option / press to decrease the volume.

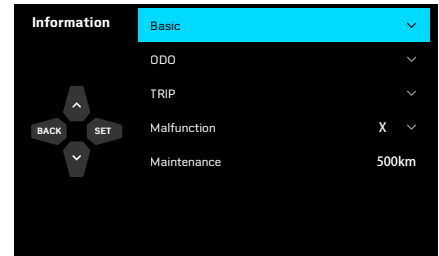
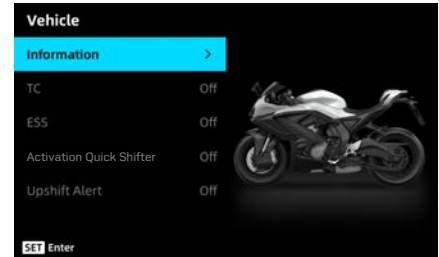
NOTE: The priority of buttons is calling, fault, phone, music and then others.

Vehicle Setting

Users can inspect, adjust, and set the following items in the setting menu.

Inspection items: Information (Basic info, ODO, TRIP, Malfunction, Maintenance).

Adjustment and set items: TC, ESS, Quick Gearshift, Upshift Alert.



Vehicle Information - Basic Information

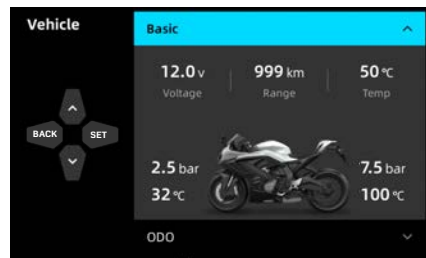
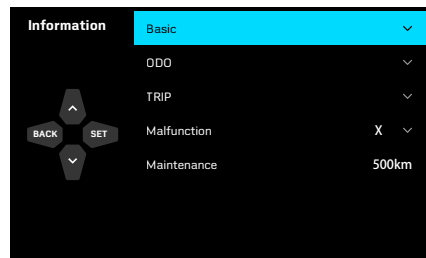
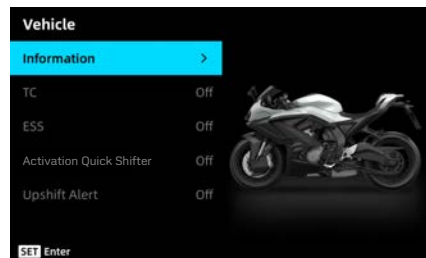
On the basic information interface, you can check battery voltage, range, coolant temperature, and tire pressure and tire temperature.

Press SET to enter the menu interface.

Press \triangle or ∇ to select the **Vehicle setting**, and press SET to enter.

Press \triangle or ∇ to select the **Vehicle information**, and press SET to enter.

Press \triangle or ∇ to select the **Basic information**, press SET to enter the basic information, and press SET again to close the basic information.



Vehicle Information - ODO Information

On the ODO information interface, you can check the total mileage, driving time, speed and fuel consumption.

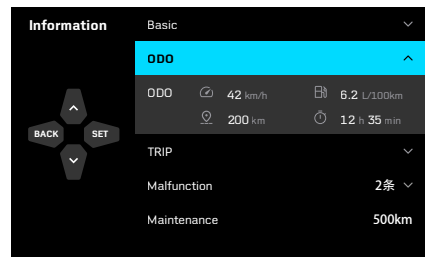
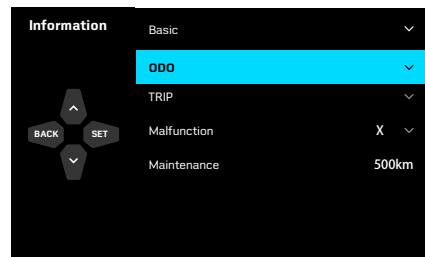
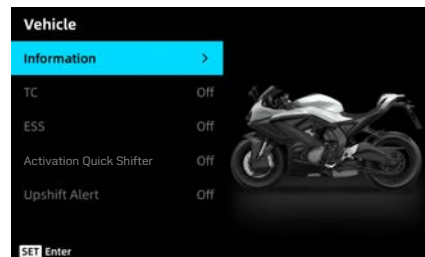
Press SET to enter the menu interface.

Press Δ or ∇ to select the **Vehicle setting**, press SET to enter.

Press Δ or ∇ to select the **Vehicle information** interface.

Press Δ or ∇ to select the **ODO information**, press SET to open the ODO information, press again to close the ODO information.

NOTE: ODO information cannot be reset.



Vehicle Information - TRIP Information

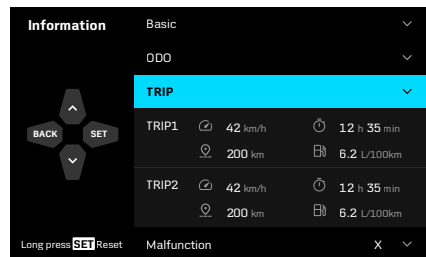
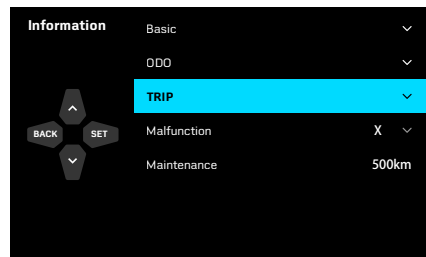
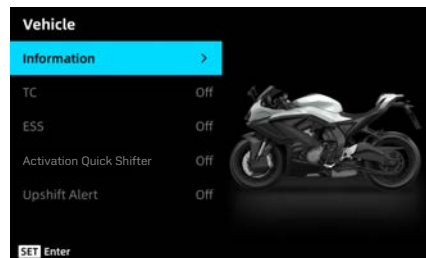
On the TRIP information interface, you can check the TRIP1 mileage, TRIP 2 mileage, riding time, speed and fuel consumption.

Press SET to enter the menu interface.

Press \triangle or ∇ to select the **Vehicle setting**, press SET to enter.

Press \triangle or ∇ to select the **Vehicle information**, press SET to enter.

Press \triangle or ∇ to select the **TRIP information**, press SET to open the TRIP information, press SET again to close the TRIP information.



Vehicle Information - TRIP Information - TRIP 1/TRIP 2 Reset

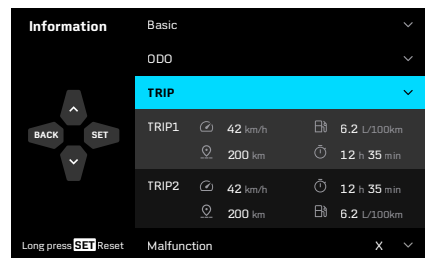
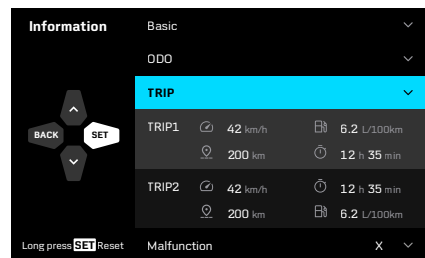
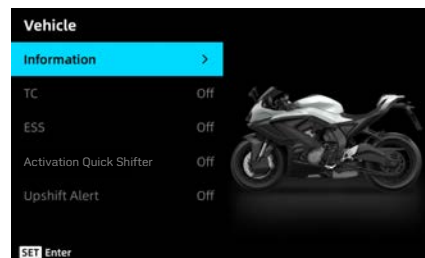
Press SET to enter the menu interface.

Press \triangle or ∇ to select the **Vehicle setting**, press SET to enter.

Press \triangle or ∇ to select the **Vehicle information**, press SET to enter.

Press \triangle or ∇ to select the **TRIP information**, press SET to open the TRIP information.

Press \triangle or ∇ to select the **TRIP 1 / TRIP 2 information**, long press SET to reset the TRIP1/TRIP 2 data.



Vehicle Information - Malfunction

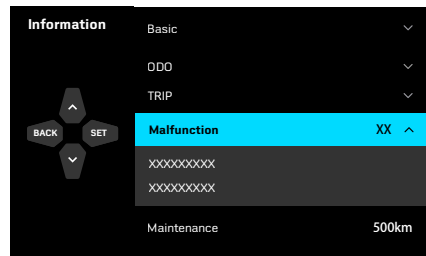
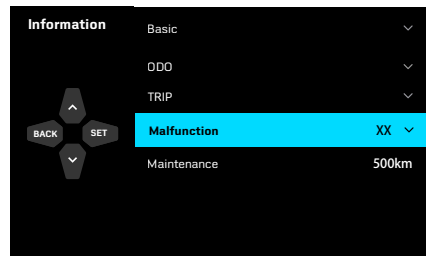
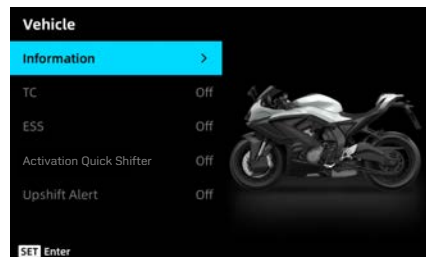
On the fault interface, you can check fault information or a fault reminder. To clear a fault when it occurs, contact an authorized CFMOTO service center.

Press SET to enter the menu interface.

Press \triangle or ∇ to select the **Vehicle setting**, and press SET to enter the vehicle setting interface.

Press \triangle or ∇ to select the **Malfunction**, and press SET to enter.

Press \triangle or ∇ to select the **Malfunction**, and press SET to inspect the details (if the number of faults is zero on the right side, faults cannot be checked). Press SET again to close the fault information.



Vehicle Information - Maintenance

On the vehicle information interface, you can inspect the service mileage information. When the service mileage is reached, the instrument will display a message to remind you to carry out service at an authorized CFMOTO service center.

Press SET to enter the menu interface.

Press \triangle or ∇ to select the **Vehicle setting**, and press SET to enter.

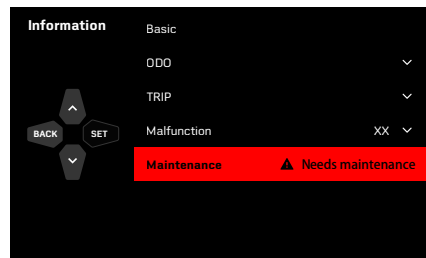
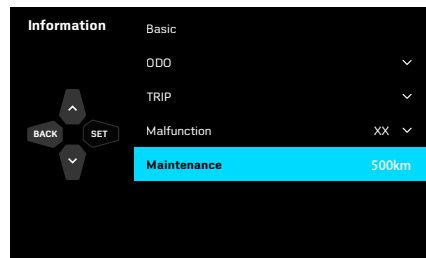
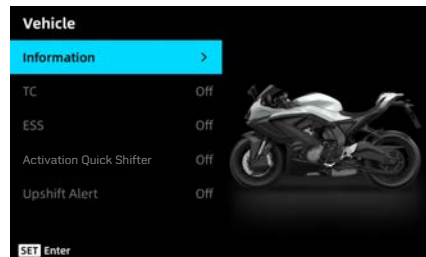
Press \triangle or ∇ to select the **Vehicle information**, and press SET to enter. Inspect the remaining service mileage.

Resetting the service mileage:

Press \triangle or ∇ to select the remaining service mileage.

Press SET for 10 seconds, and then confirm your choice to reset.

After the maintenance in the CFMOTO service center, our mechanist will gladly help you reset the service mileage, it is not recommended to reset the mileage by yourself.



TC (Traction control system)

Traction Control System helps the vehicle get the best traction or stability possible for the riding conditions or speeding.

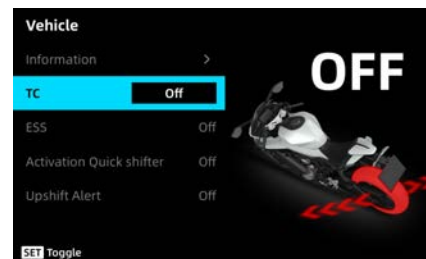
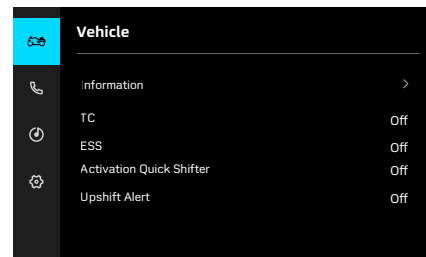
The main performance of traction control system:

1. Controlling engine power when there is idling at the wheels maintains stability and traction of the vehicle by reducing the amount of fuel injected to mitigate tire slippage caused by loss of tire traction.
2. When motorcycle accelerates sharply, it can help to better control the power input. When the motorcycle appears tire slippage, it can maintain stability and traction of the vehicle by reducing the engine output power.
3. When the road gets wet, it can help to reduce the tire slippage, increase the stability and traction of the vehicle.

Press SET to enter the menu interface.

Press Δ or ∇ to select the **Vehicle setting**, press SET to enter.

Press Δ or ∇ to select the **TC**, press SET to activate the **TC** function. At this time, TC function is half open and in the first gear, press SET again, TC function is fully open in the second gear. Press SET again to turn off **TC**.



Emergency Stop Signal (ESS)

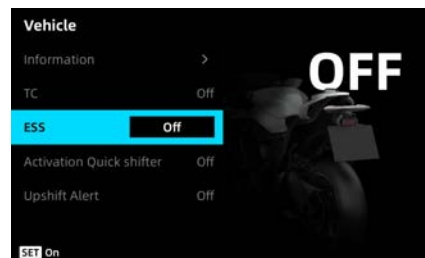
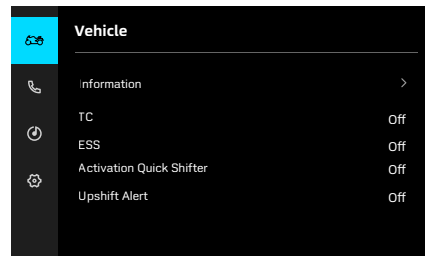
When the ESS is enabled and the vehicle performs emergency braking, the turn lights will flash to warn people behind you.

Press SET to enter the menu interface.

Press \triangle or ∇ to select **Vehicle setting**, and press SET to enter the Settings interface.

Press \triangle or ∇ to select **ESS**, and press SET to enter.

Press SET to turn on or turn off the **ESS**.



Activation Quick shifter

The vehicle is equipped with the Activation Quick shifter. It enables a clutchless upshift when the quickshifter works, allowing the operator to upshift constantly without having to roll off the throttle.

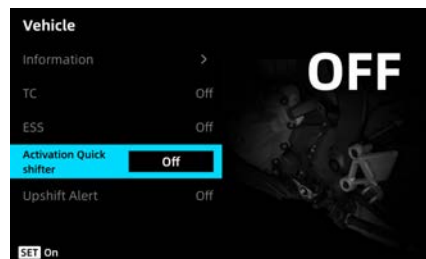
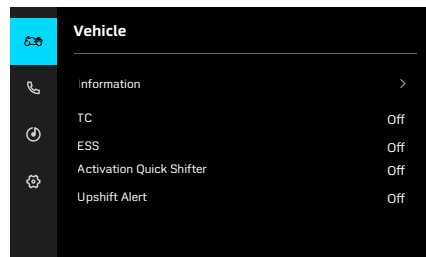
The Activation Quick shifter employs a sensor to detect the gear changes. When the sensor detects a shift requirement, it will send a signal to the ECU. The ECU will then control the engine according to the current engine RPM to provide optimal shifting times for smooth gear shifting.

If the Activation Quick shifter switch off or is not equipped with a quickshifter or downshift, the clutch lever must be operated as usual for each shift.

Press SET to enter the menu interface.

Press \triangle or ∇ to select the **Vehicle setting**, press SET to enter.

Press \triangle or ∇ to select the **Activation Quick shifter**, press SET to turn on or turn off the **Activation Quick shifter** function.



Upshift Alert

Shifting at the right RPM can effectively reduce the shifting pauses, protect the clutch and so on. Opening and setting the appropriate Gear Change Reminder can help the driver be more quickly familiar with the vehicle.

The recommended upshifting speed is 6500 RPM.

Press SET to enter the Menu interface.

Press \triangle or ∇ to select the **Vehicle setting**, and press SET to enter.

Press \triangle or ∇ to select **Upshift Alert**, and press SET to turn on or turn off Gear Change Reminder.

Reminded speed can be set after turning on Gear Change Reminder.

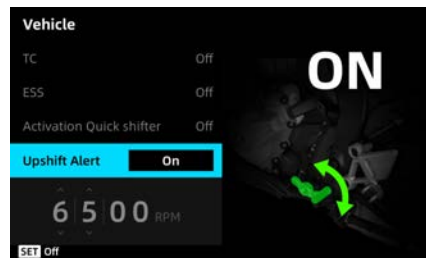
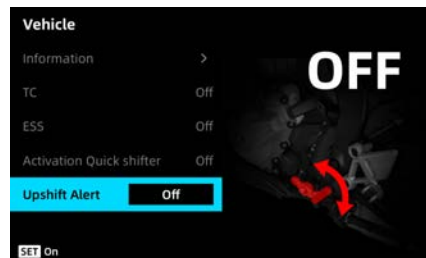
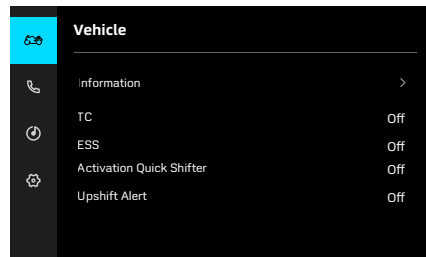
Press ∇ to select upshifting RPM column, and press SET to activate the column. At this time, the button icon ' \wedge ' ' \vee ' above and below the kilobit value '6' will light up.

Press \triangle to adjust the kilobit value with positive order.

Press ∇ to adjust the kilobit value in reverse order.

Press SET to cycle switching between the kilobit value and hundred value, same method to adjust from hundred value to kilobit value.

Adjustment is completed, press 'BACK' to confirm the modification.



Phone

In the phone menu, users can check the following contents.

Contacts

Recent Calls

NOTE: Before using the phone, equipment must be correctly connected, and the phone and helmet should be connected to the instrument.



Contacts

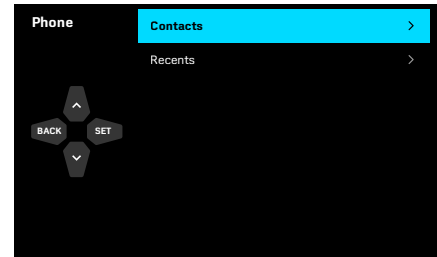
On the contacts interface, users can view the contacts recorded by their Bluetooth-connected mobile phones and dial the numbers.

Press SET to enter the Menu interface.

Press \triangle or ∇ to select **Phone**, and press SET to enter.

Press \triangle or ∇ to select **Contacts**, and press SET to enter.

Press \triangle or ∇ to select the number, and press SET to dial the number.



Recent Calls

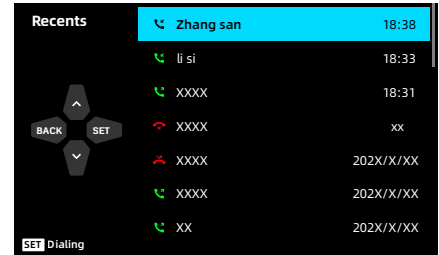
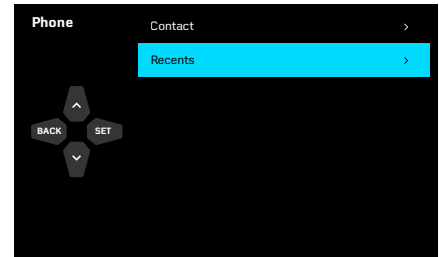
On the recent calls interface, users can view recent calls recorded by their Bluetooth-connected mobile phones and dial the numbers.

Press SET to enter the Menu interface.

Press \triangle or ∇ to select **Phone**, and press SET to enter.

Press \triangle or ∇ to select **Recents**, and press SET to enter.

Press \triangle or ∇ to select the number in the latest calls, and press SET to dial the number.



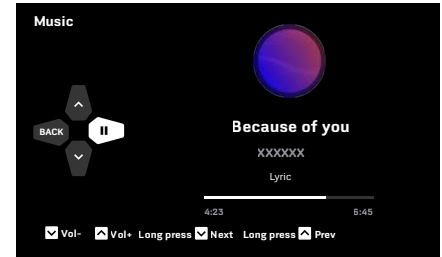
Music

On the music interface, users can play songs on the phone through Bluetooth, and through the button on the LH handlebar to switch the previous song and the next song, or to pause, and play, to adjust volume and other functions.

Press SET to enter the Menu interface.

Press Δ or ∇ to select the **Music** and press SET to enter the Music interface.

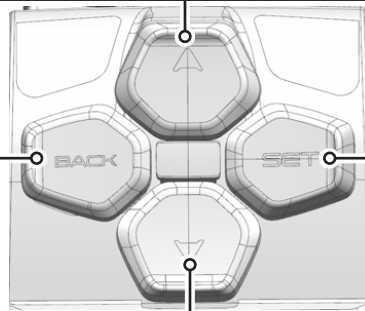
Playing songs through your phone.



For Music: on the main interface, press it to increase the volume, long press it to switch the previous song.

For Music: on the menu, press it to increase the volume, long press it to switch the previous song.

For Music: on the menu, return to the main interface.



For Music: on the main interface, press it to enter the first-level Menu, and long press to pause or play.

For music: on the Menu interface, press it to pause or play.

For Music: on the main interface, press it to decrease the volume, long press it to switch the next song.

For Music: on the menu, press it to decrease the volume, long press it to switch the next song.

System Settings

In the system settings, riders can adjust and set the following contents:

Theme

Device connection

Information 1

Information 2

Auto Brightness

Unit

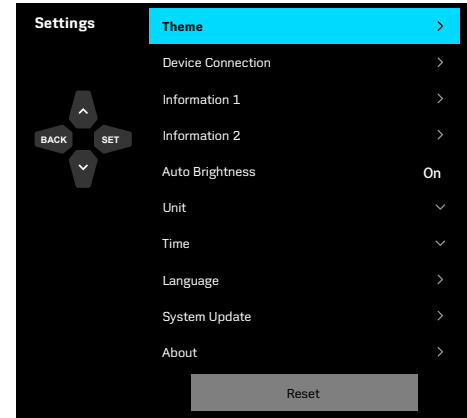
Time

Language

System update

About

Reset



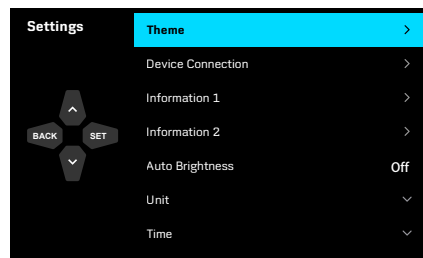
Theme

The main interface of the instrument is equipped with multiple sets of subject styles, and you can choose your favorite one in the menu.

Press SET to enter the Menu interface.

Press \triangle or ∇ to select **Settings**, and press SET to enter Settings interface.

Press \triangle or ∇ to select **Theme**, and press SET to confirm your selection.

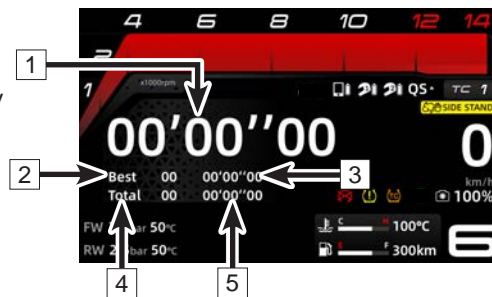


Lap Theme

The Lap Theme is equipped with a timing function, which mainly records the time and number of laps of the motorcycle when passing the track. The lap time will provide real-time data feedback, which can help the rider to adjust their own driving habit and skills according to the data analysis.

[1]: Time (Display range 0'0"00-59'59"99) / [2]: Best lap

[3]: The corresponding time of the best lap / [4]: Total lap (display range 00-30) / [5]: Total corresponding time to the total lap



Action	Timer State	After action
Press "BACK"	Timed not start yet	Start timing
	Pause	Continue timed
	During time counting	[4] +1, [5] will plus the counting time for this time. [1] will restart the time counting. (the previous number will keeps 2S, then displays the new counting time)
Long press "BACK"	/	Reset
Press "SET"	If in time counting	Pause
	If not in time counting	Enter the first-level menu
Long press "△"	If in time counting	Invalid
	If not in time counting	Enter to check the history lap and time state: when "Total" change to "Lap", the number will flash. [5] displays the corresponding time of the left side laps. Press "△" or "▽", when [4] +1/-1, [5] will change following. Press to cyclic switching the number.
	If checking the history laps and time state	Exit the history checking state

The switch priority of the Lap theme:

- 1."BACK": Hang up calling > Cancel fault > Hang up the phone call > Lap (start/pause).
2. Lap time counting state: press "SET" cannot enter the menu interface, but some functions can be used,

such as pick up phone. Calling > lap (pause) > music (pause/start).

3. Lap time dose counting not start: press "SET" to enter the menu interface.

4. When checking the laps and time states, " △ " and " ▽ " can adjust the laps only.

5. Long press " △ ": checking lap/exit checking

Device Connection - Mobile Phones

Phone calls, music and other functions can be used after the phone and helmet are connected to the instrument via Bluetooth.

Follow these steps to connect your phone Bluetooth:

Ensure that the Bluetooth of the mobile phone to be connected is turned on.

Press SET to enter the Menu interface.

Press \triangle or ∇ to select **Settings**, and press SET to enter.

Press \triangle or ∇ to select **Device Connection**, and press SET to enter.

Press \triangle or ∇ to select **Phone**, press SET to enter, and instrument will automatically search for the Bluetooth device.

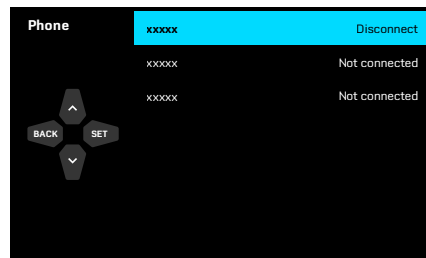
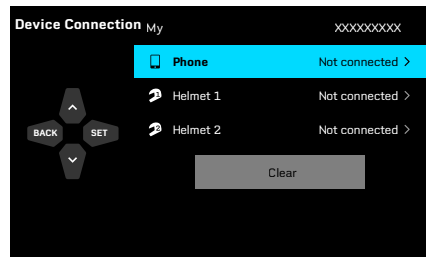
Press \triangle or ∇ to select your equipment, and press SET to connect.

On your phone, a connection message will display. Click to connect it. Wait until your equipment is connected.

After connection, 'connected' will show on your phone.

Disconnection

Press \triangle or ∇ to select connected Bluetooth device, and press SET to disconnect.



Device Connection - Helmet

Follow these steps to connect your helmet Bluetooth:

Ensure that the Bluetooth of the helmet to be connected is turned on.

Press SET to enter the menu interface.

Press \triangle or ∇ to select **Settings**, and press SET to enter.

Press \triangle or ∇ to select **Device Connection**, and press SET to enter.

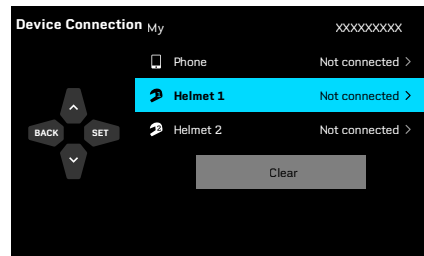
Press \triangle or ∇ to select **Helmet 1 / Helmet 2**, press SET to enter, and instrument will automatically search for the Bluetooth device.

Select your equipment. Wait until it is connected.

After connection, 'connected' will show on your phone.

Disconnection

Press \triangle or ∇ to select connected Bluetooth device, and press SET to disconnect.



Device Connection - Disconnection

Follow these steps to disconnect devices.

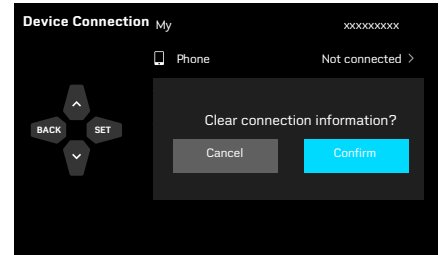
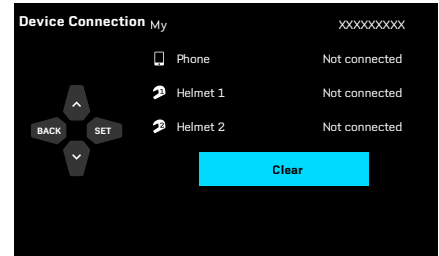
Press SET to enter the menu interface.

Press \triangle or ∇ to select **Settings**, and press SET to enter.

Press \triangle or ∇ to select **Device Connection**, and press SET to enter.

Press \triangle or ∇ to select **Clear**, and press SET to enter the popup window.

Press \triangle or ∇ to select cancel/confirm, and press SET to confirm.



Information 1

Select one message from Optional Information 1 to display on the main interface.

Press SET to enter the Menu interface.

Press \triangle or ∇ to select **Settings**, and press SET to enter the Settings interface.

Press \triangle or ∇ to select **Information 1**, and press SET to enter.

Press \triangle or ∇ to select your wanted Information to display on the main interface, and press SET to confirm.

Optional Information 1: ODO TRIP 1, TRIP 2.



Information 2

Select one message from Optional Information 2 to display on the main interface.

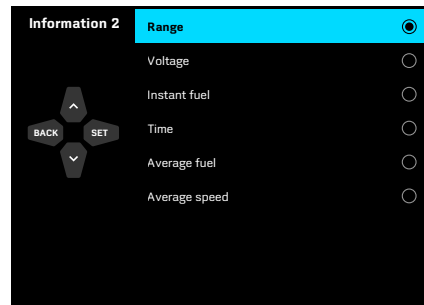
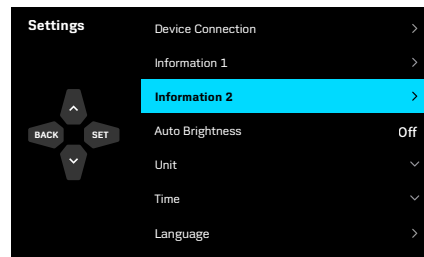
Press SET to enter the Menu interface.

Press \triangle or ∇ to select **Settings**, and press SET to enter the Settings interface.

Press \triangle or ∇ to select **Information 2**, and press SET to enter.

Press \triangle or ∇ to select your wanted information to display on the main interface, and press SET to confirm.

Optional information 2: Range, Voltage, Instant Fuel, Time, Average fuel consumption, Average speed.



Auto Brightness

Manually adjust the brightness of the instrument, or the instrument automatically adjusts its brightness according to the external environment light.

Press SET to enter the Menu interface.

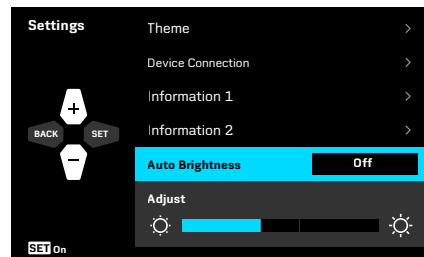
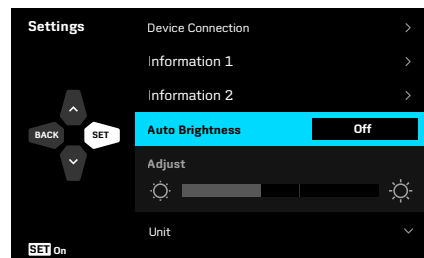
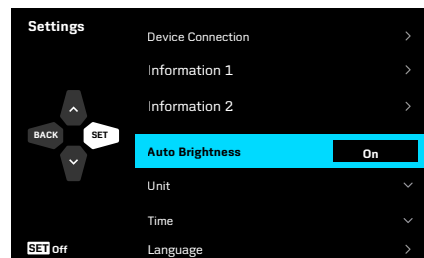
Press \triangle or ∇ to select **Settings**, and press SET to enter Settings interface.

Press \triangle or ∇ to select **Auto Brightness**, and press SET to turn on or turn off automatic brightness adjustment.

After turning off the automatic brightness adjustment, the brightness can be adjusted manually.

Press ∇ to select brightness adjustment column, and press SET to activate it.

Press \triangle or ∇ to adjust brightness, and press "BACK" to confirm your selection.



Unit

Change units of speed, temperature and tire pressure to suit your preference.

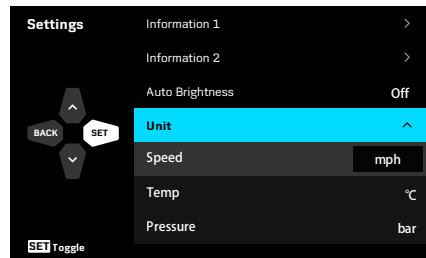
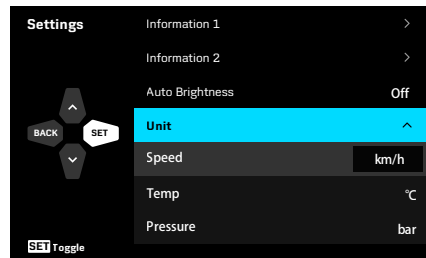
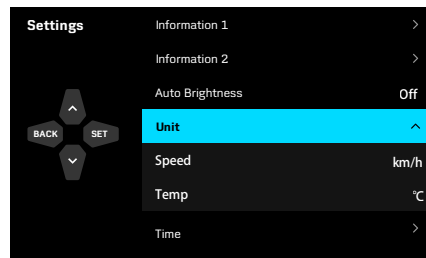
Press SET to enter the Menu interface.

Press Δ or ∇ to select **Settings**, and press SET to enter Settings interface.

Press Δ or ∇ to select **Unit**, and press SET to enter.

Press ∇ to select the unit you need to switch (speed / temperature / tire pressure), and press SET to switch the unit.

km/h mph
°C °F
kPa bar psi



Time

Adjust the time displayed on the main interface.

Press SET to enter the Menu interface.

Press \triangle or ∇ to select **Settings**, and press SET to enter Settings interface.

Press \triangle or ∇ to select **Time**, and press SET to enter.

Press \triangle or ∇ to select **Time Format**, and press SET to switch (12 hours/24 hours).

Taking 12-hours format as example, press ∇ to select the time adjustment column below the time format, and press SET to activate the time adjustment column.

The button icon ' \wedge ' ' \vee ' will light up above and below the 'AM' in the time adjustment column.

Press \triangle or ∇ to select the time period 'AM' or 'PM'. 24-hour time format lacks this option as the third image shows.

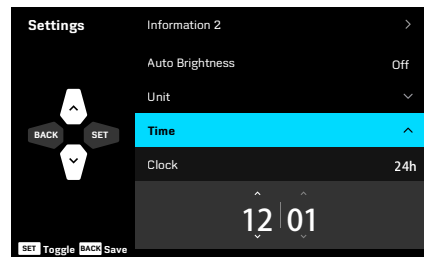
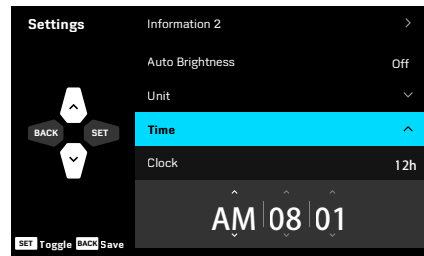
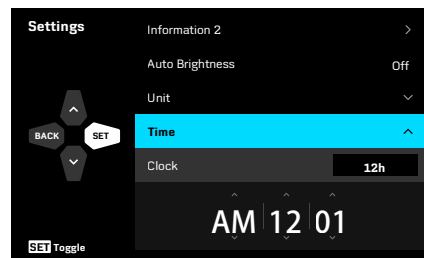
Press SET to switch between (AM), hour (08), and minute (01). 24-hour format can be switched between hour and minute as the third image shows.

Press \triangle or ∇ to adjust your wanted time, and press "BACK" to confirm your selection.

Press \triangle to increase the number, and press ∇ to decrease the number.

Hour format switch range: 01-12

Minute format switch range: 00-59



Language

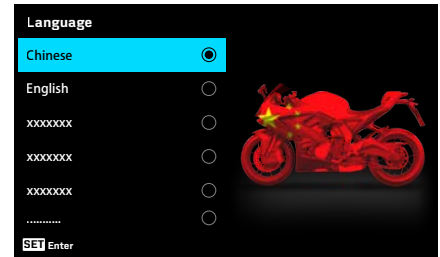
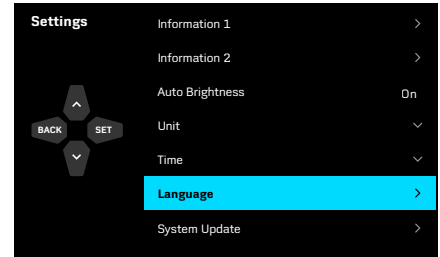
Adjust the instrument's language to suit your preference.

Press SET to enter the Menu interface.

Press \triangle or ∇ to select Settings, and press SET to enter Settings interface.

Press \triangle or ∇ to select Language, and press SET to enter.

Press \triangle or ∇ to select your wanted language, and press SET to confirm.



System Update

When a new system version becomes available, the system upgrade module will pop up a window to alert you. If you cannot upgrade immediately, press “BACK” to disregard the upgrade window. Then, when you are ready, enter the system settings to perform the upgrade. Follow these steps:

Press SET to enter the Menu interface.

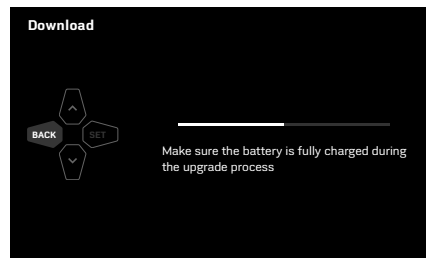
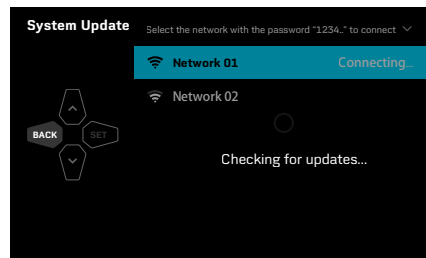
Press \triangle or ∇ to select **Settings**, and press SET to enter the Settings interface.

Press \triangle or ∇ to select **System update**, and press SET to automatically search for available networks.

Press \triangle or ∇ to select your network, and press SET to connect.

After connection, the system will automatically search for the newest system version.

When the newest version is found, press SET to upgrade. Then wait until the installation package is installed. A few important notes are on the next page.



NOTE:

1. Ensure the battery is fully charged before you try to upgrade the system.
2. Don't turn off the vehicle power supply while the system updates. If vehicle power is turned off, installation of the update will be disrupted. You should download the installation package again.
3. Downloading the system update will fail if the Internet is disconnected for 30 seconds or more.
4. You can cancel a download in progress by pressing "BACK", which will return you to the New Version interface (see the second image on the previous page).
5. If the download fails, press SET to download the installation package again.

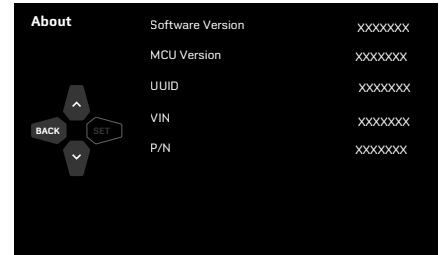
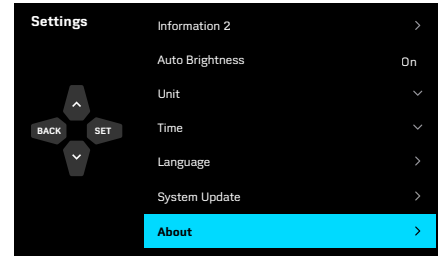
About

On the vehicle information interface, you can check the current software version, MCU version UUID, frame number, and parts code.

Press SET to enter the Menu interface.

Press \triangle or ∇ to select **Settings**, and press SET to enter Settings interface.

Press \triangle or ∇ to select **About**, and press SET to enter.



Reset

You can reset all instrument settings.

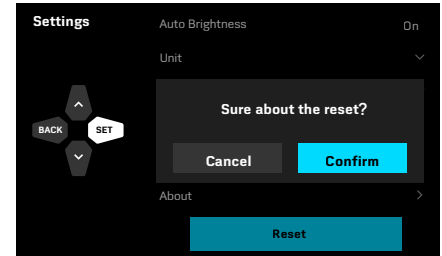
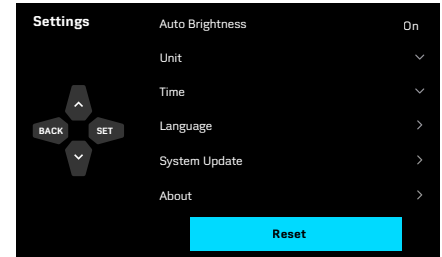
NOTE: This function does not reset ODO or related functions.

Press SET to enter the Menu interface.

Press \triangle or ∇ key to select **Settings**, and press SET to enter the Settings interface.

Press \triangle or ∇ to select **Reset**, and press SET to enter the popup window.

Press \triangle or ∇ to select **Cancel** or **Confirm**, and press SET to confirm your choice.



OPERATING YOUR VEHICLE

Break-In Period

The break-in period for this vehicle is the first 600 miles (1000 km). Maintain the vehicle according to the break-in period requirements.

The following items should be observed during the break-in period:

1. Do not run high engine speeds immediately after the engine starts. Allow the engine to warm for 2 ~ 3 minutes at idle speed and let oil flow into all engine lubricating parts.
2. Do not run the engine at high RPM when the transmission is in neutral.
3. During the break-in period, CFMOTO suggests the top engine speeds as below:

Odometer	Maximum Engine RPM
0 ~ 300 miles (0 ~ 500 km)	4000 r/min
300 ~ 600 miles (500 ~ 1000 km)	6000 r/min

DANGER

New tires can be slippery. Unsafe riders may lose control and cause damage. Tire pressures should be at the specified value during the break-in period. Avoid sudden, maximum braking/acceleration and hard cornering during the break-in period.

CAUTION

During the break-in period, the brake system pads and discs require wear-in and may not have reached optimal performance.

When pads and discs are new, avoid following other vehicles too closely or operating situations that require emergency stopping, to avoid an accident.

Daily Safety Inspection

Inspecting the following items before daily riding will help keep your vehicle safe and reliable. If anything abnormal appears, please refer to the Maintenance and Adjustment section or contact your dealer. Do not operate the vehicle in an abnormal condition, as it may lead to serious damage or accidents.

Item	Content
Engine oil	Inspect the oil level to see whether it is proper.
Rear brake fluid reservoir	Inspect the rear brake fluid level to see whether it is proper.
Rear wheel	Inspect the rear wheel and tire for excessive wear, cracks or cuts, embedded items or other damage. Inspect the rear tire pressure to see whether rear tire pressure is within the standard range.
Rear brake	Inspect the thickness of rear brake pad. Inspect thickness of rear brake disc and inspect for any dirt or damage.
Chain and sprockets	Inspect the drive chain and sprockets for dirt and wear, and inspect their tension to see whether it is proper.
Front wheel	Inspect the front wheel and tire for excessive wear, cracks or cuts, embedded items or other damage. Inspect the front tire pressure to see whether is within the standard range.
Front brake	Inspect the thickness of front brake pad. Inspect thickness of front brake disc and inspect for any dirt or damage.
Front brake fluid reservoir	Inspect the front brake fluid level to see whether it is proper.
Luggage (if equipped)	Inspect the luggage to see whether it is fastened securely, and make sure the luggage height is in line with local regulations.

Coolant	Inspect the coolant level to see whether it is proper.
Instrument	Inspect the instrument's fault indicators and inspect the fuel level to see whether there is enough fuel.
Rearview mirrors	Inspect the rearview mirrors to see whether they are in an appropriate view angle.
Lights	Inspect all the lights to see whether they all work well and whether the beam height for front lights meets the local regulations.
Operating parts	Inspect the steering, front and rear brakes, throttle and switches to see whether they can be operated smoothly.
Side stand	Inspect the return spring of the side stand for any looseness or damage.
Stop switch	Inspect the stop switch to see whether it works properly.

 **DANGER**

Inspect the vehicle every time before riding.

The operator must have the appropriate license to ride the vehicle.

Learn the local regulations, and do not ride the vehicle in the areas where motorcycles are not allowed.

Do not start the vehicle in a closed area or an area without good ventilation. The exhaust generated during engine operation may cause people to lose consciousness or even cause deaths.

Starting

Sit on the vehicle supported with the side stand up.

Turn the key to this position '🔑'.

Ensure the start/stop switch button in middle position '🔑'.

Shift into neutral gear.

Turn the start/stop switch button to position '🔑'.

CAUTION

Running an engine at high RPMs in low temperatures will impact the lifespan of the engine. Always warm the engine at a low speed.

Do not start the vehicle with the start switch until the instrument self-inspection has completed.

The vehicle is equipped with a clutch switch. If you pull the clutch lever and shift into a forward gear with the side stand up, the vehicle can be started.

The vehicle is equipped with a side stand switch. When the transmission is in neutral and the side stand is up, the vehicle can be started.

If you shift into a gear with the side stand down, the engine will turn off.

Do not press the start switch for more than 5 seconds. Please wait for more than 15 seconds to press the start switch again, or it will cause the battery to discharge.

It is recommended that the vehicle should not idle for a long time. Idling for 30 minutes or more will cause the battery temperature to be too high, which affects battery life.

Starting Off

Grip the clutch lever, put the vehicle into gear 1, then slowly release the clutch lever while at the same time gently rotating the throttle.

Shifting, Riding

<u>Shifting Gears Without Quick Gear Shifting:</u>	<u>Shifting Gears With Quick Gear Shifting:</u>
Pull in the clutch lever and release the throttle.	Open the throttle gently.
Shift to the next gear with the gear shift lever.	Release the throttle and upshift the gearshift pedal as necessary.
Release the clutch lever and slowly open the throttle at the same time to finish shifting the gear.	Hold the handlebar and drive with throttle applied.
Hold the handlebar and drive with throttle applied.	Hold the clutch lever to downshift

WARNING

Avoid any abrupt load alterations or strong brake operation, which can cause an out of control vehicle.

Adjust the speed according to road conditions and situation around you.

When the engine RPM is high, do not shift into lower gears. Release the throttle first and reduce the engine speed.

All adjustments for vehicle operation should be made when vehicle is at a standstill.

The passenger must be seated properly on the passenger seat with feet on the rear foot pegs, wearing a helmet and other safety protection, and holding onto the operator or grab handle.

 **WARNING**

Comply with the local traffic regulations for minimum passenger age.

Comply with all local traffic regulations, and ride defensively and cautiously to detect danger as early as possible.

When the tires are cold, their road grip performance is reduced. Be cautious and ride at a safe speed until the tires reach operating temperature.

Do not exceed the maximum full load, which includes the motorcycle, driver, passenger and luggage.

Luggage sliding will affect the riding performance, so inspect luggage to confirm it is properly secured on the vehicle and to ensure that its width does not exceed 0.15m from the handlebar on the left and right sides.

In the event of an accident, the damage from crashing could be more serious than it looks. Inspect the vehicle completely to make sure it is safe, or take the vehicle to a CFMOTO dealer for inspection.

Improper gear shifting may lead to damage of the gear box.

If equipped with the quick gear shifting function, it can be used when this function is activated in the instrument setting.

Operate the throttle according to the road conditions and climate. Do not shift gears or aggressively rotate the throttle during turns.

Brake

Release the throttle when applying the brake, and use front and rear wheel brakes for braking at the same time.

Finish braking before turning, and shift to a lower gear according to the speed required.

On a long downhill ride, please leverage the brake force of the engine and shift to lower gears, but do not allow the engine to operate with high RPM. When using engine's brake force, it helps to reduce the braking force required of the brake system, and the brake will not be overheated.

 **WARNING**

Moisture, dirt and snow melting salt will impair the brake system. Brake carefully several times to dry out moisture and remove dirt or snow melting salt from the brake pads and discs.

If the vehicle is equipped with front caliper ventilation covers then rainwater may accumulate during driving in the rain. It may reducing the braking performance of the front brake discs, which may further lead to the risk of front brake failure. To avoid this, drive carefully in the rain, slow down and allow a long enough braking distance.

If the hand brake lever and foot brake lever feel soft, stop riding until the brake system is fully inspected and the faults eliminated.

Take your foot off the foot brake lever when you are not braking. Long-time braking will cause brake pads overheating and excessive wear, which will affect service life and safety.

When carrying a passenger or luggage, the required braking distance will be increased. Please adjust the brake time according to the vehicle load.

When the ABS is used, you can achieving the maximum brake power, when in the low grip surface, such as sandy, wet or slippery road with no risks of the locking of the wheels.

When the ABS is fail, the urgent brake may locking of the wheels. Before riding the vehicle that make sure the ABS works normally to have the protection role.

Under certain circumstances, ABS may lead to the braking distance increased. Adjust the braking method according to the riding situations and road conditions.

Parking

Stop the vehicle with brake.

Shift the gear to Neutral.


Press start/stop switch button to this position '  ' to turn off the engine.

 CAUTION
--

Most of the electrical parts will not be disconnected when using the stop switch to turn off the engine and the ignition lock is connected, thus causing the battery to discharge. Always use the ignition lock to turn off the engine, stop switch only can be used in an emergency.

Turn the ignition key to this position '  ' to turn off the ignition system.

Use a side stand to support the vehicle on a firm and level ground.

Turn the handlebar to left, rotate the key to this position '  ' to lock the handlebar.(For better lock, you can remove the handlebar left and right slightly)

Remove and take away the key.

 **WARNING**

When the engine is running, do not leave the vehicle unattended.

Secure the vehicle against use by unauthorized people.

Lock the steering when leaving the vehicle unattended.

After using the vehicle, the temperature of some parts will be very high. Do not touch parts such as the exhaust system, cooling system, engine, or brake system.

Do not park the vehicle near materials that are highly flammable or explosive. Hot parts may ignite these materials.

Improper parking may cause the vehicle to slip and roll over, which will lead to severe damages.

SAFETY OPERATION

Safe Riding Tips

The following items are applicable for daily motorcycle use and should be carefully observed for safe and effective vehicle operation:

For safety, goggles and a helmet are strongly recommended. You must be aware of traffic regulations for the safe riding. Safe riding gear such as gloves and suitable footwear should also be used for protection.

Wear protective apparel when riding in case of any collision with other vehicles. Without protective apparel, no safety can be ensured. Before changing lanes, look over your shoulder to make sure the way is safe. Do not rely solely on the rear-view mirrors. You must judge distance and speed of other cycles, or accidents may occur.

When climbing up steep slopes, shift to a lower gear to increase the motor's torque output, thus avoiding overloading.

When applying the brakes, apply both the front and rear brakes at the same time. Applying only one brake for sudden braking may cause the motorcycle to skid and lose control.

When going down long downhill slopes, control vehicle speed by releasing the throttle. Use the front and rear brakes for auxiliary braking.

In wet conditions, rely more on the throttle to control vehicle speed and less on the front and rear brakes.

The throttle should also be used judiciously to avoid skidding the rear wheel during rapid acceleration or deceleration.

Riding at the proper speed and avoiding unnecessary acceleration are important not only for safety and low fuel consumption, but also for longer vehicle life and quieter operation.

When riding in wet conditions or on loose roadway surfaces, vehicle performance will be reduced. All of your actions should be smooth and flexible under these conditions. Sudden acceleration, braking or turning may cause loss of control.

Practice your operating skills cautiously and slowly in an open area and hold the fuel tank with the knees for better stability. When there is a quick acceleration, shift to a lower gear to obtain the necessary power. Do not downshift at high RPM to avoid damage to the engine.
To avoid the unnecessary fabric to entangled the vehicle and operator
Avoid unnecessary use of fabric tape which may entangle the rider or motorcycle.

Additional Cautions for High Speed Operation

Brakes: Braking is very important, especially during high speed riding and the braking force cannot be too large. Inspect and adjust the brakes to get better performance.

Handling: Looseness of the handling parts may cause loss of control. Inspect the steering to see whether it can turn freely without shaking.

Tires: High speed operation requires the tires to be in good condition. Good-condition tires are crucial for safe riding. Inspect their pressure and the wheel balance.

Fuel: Ensure that there is enough fuel and a smooth supply of fuel for high speed operation.

Oil: To avoid engine failures which could result in loss of control, make sure the oil level is maintained between the upper and lower level lines.

Coolant: To avoid overheating, check and make sure that the coolant level is between the two level lines.

Electrical Equipment: Make sure that the headlights, tail/brake light, turn signals, horn and etc. work properly.

Fasteners: Make sure that all nuts and bolts are tight and that all safety-related parts are in good condition.

DANGER

Follow all traffic regulations. Do not ride on the highway over posted speed limits. Riding at high speeds on the highway will violate related regulations. Motorcycles may be forbidden to operate on the highway in some areas.

MAINTENANCE

Careful and periodic maintenance will help keep your vehicle in the safest, most reliable condition. Inspection, adjustment, and lubrication of important components are explained in the Periodic Maintenance Chart.

Inspect, clean, lubricate, adjust, and replace parts as necessary. When inspection reveals the need for replacement of certain parts, always use original parts from your dealer.

NOTE
Periodic maintenance and adjustments are critical. If you are not familiar with relative procedures, have a qualified dealer do that for you.

Pay special attention to the oil level during cold weather operation. A rise in oil level can indicate that there are contaminants collecting in the oil sump or crankcase. Change oil immediately if the oil level begins to rise. Monitor the oil level, and if it continues to rise, stop using the vehicle and inspect for reasons or see your dealer.

Improper Use

CFMOTO defines improper use of the vehicle as:

- Riding in the extreme environment (such as dust, mud, salty water places).
- Riding in the extreme climate (such as high temperature, low temperature, high moisture places)
- Racing or race-style use of high RPM.
- Running at low speed for a long time, and carry heavy load.
- Idle the engine for a long time.
- Short-distance operation in a cold weather.
- For commercial use.

- Start and stop the vehicle frequently
- Riding on the uneven or bumping road.

If this vehicle is used in a way that matches any of these definitions, decrease the maintenance intervals by 50%.

Key Points of Lubrication Schedule:

Check all components at the intervals outlined in the Periodic Maintenance Chart. Items not listed in the schedule should be lubricated at the general lubrication interval.

- Change lubricants more often under severe conditions, such as being used in wet or dusty conditions.
- Lubricate before long periods of storage, after pressure washing, or after submerging drive system.

Item	Specifications	Method
Engine oil	SAE 10W-40 SN and higher JASO MA2	Inspect the oil level from the oil view window.
Brake fluid	DOT4	Keep the level between upper and lower lines.

Break-in Periodic Maintenance Chart

Item		Break-in Maintenance Interval (Maintain the item that reaches the interval first)			
		Calendar	Miles	km	Notes
Engine					
■	Oil and oil filter	-	600	1000	Replace.
	Idle	-	600	1000	Inspect.
■	Coolant	-	600	1000	
	Throttle system	-	600	1000	
Electrical system					
■	Functions of electrical parts	-	600	1000	Inspect.
	Battery	-	600	1000	
	Fuses or circuit breakers	-	600	1000	
Brake					
	Brake discs	-	600	1000	Inspect.
	Brake pads	-	600	1000	
	Brake fluid level	-	600	1000	
■	Brake hoses	-	600	1000	Inspect for damage and sealing
	Brake lever	-	600	1000	Inspect free play.

▲ = The maintenance interval is shortened by 50% if the motorcycle is used badly.

■ = Have an authorized dealer repair involved components and systems.

Item	Break-in Maintenance Interval (Maintain the item that reaches the interval first)				
	Calendar	Miles	km	Notes	
Wheels					
	Tire condition	-	600	1000	Inspect.
	Tire pressure	-	600	1000	
Suspension					
■	Rear and front shock absorbers	-	600	1000	Inspect for oil leakage(maintain front forks and the rear shock absorber according to the requirement and purpose).
Cooling system					
	Coolant level	-	600	1000	Inspect.
■	Coolant	-	600	1000	
■	Radiator fan function	-	600	1000	
	Coolant hoses	-	600	1000	
Steering system					
■	Steering bearings	-	600	1000	Inspect.

▲ = The maintenance interval is shortened by 50% if the motorcycle is used badly.

■ = Have an authorized dealer repair involved components and systems.

Item		Break-in Maintenance Interval (Maintain the item that reaches the interval first)			
		Calendar	Miles	km	Notes
Other parts					
■	Fault control memory	-	600	1000	Read with Descan.
■	Movable parts	-	600	1000	Lubricate, and inspect their flexibility.
■	Bolts and nuts	-	600	1000	Inspect their firmness.
■	Cables	-	600	1000	Inspect them for damage, bending and inspect their setting.

▲ = The maintenance interval is shortened by 50% if the motorcycle is used badly.

■ = Have an authorized dealer repair involved components and systems.

After Break-in Periodic Maintenance Chart

Item		After Break-in Maintenance Interval (Maintain the item that reaches the interval first)			
		Calendar	Miles	km	Notes
Engine					
	Oil and oil filter	6M	3000	5000	Replace.
■	Clutch	-	3000	5000	Inspect and repair or replace if necessary.
	Idle	-	3000	5000	Inspect and adjust if necessary.
■	Coolant	24M	20000	35000	Replace.
	Throttle	-	3000	5000	Inspect and adjust if necessary.
■	Throttle body	-	3000	5000	Clean.
▲ ■	Air filter elements	-	3000	5000	Clean.
		24M	12000	20000	Replace.
■	Spark plug	-	3000	5000	Inspect and replace if necessary.
		-	6000	10000	Replace.
■	Valve clearance	-	24000	40000	Inspect and adjust if necessary.

▲ = The maintenance interval is shortened by 50% if the motorcycle is used badly.

■ = Have an authorized dealer repair involved components and systems.

Item	After Break-in Maintenance Interval (Maintain the item that reaches the interval first)				
	Calendar	Miles	km	Notes	
Electrical system					
■	Functions of electrical parts	12M	6000	10000	Inspect and repair or replace if necessary.
	Battery	6M	3000	5000	Inspect and recharge if necessary.
	Fuses or circuit breakers	6M	3000	5000	Inspect and replace if necessary.
■	Cables	12M	6000	10000	Inspect for any damage and bending when they are being set.
Wheels					
	Wheel condition	12M	6000	10000	Inspect and repair or replace if necessary.
	Wheel pressure	12M	6000	10000	Inspect and replenish if necessary.
■	Wheel bearings	-	6000	10000	Inspect and repair or replace if necessary.

▲ = The maintenance interval is shortened by 50% if the motorcycle is used badly.

■ = Have an authorized dealer repair involved components and systems.

Item	After Break-in Maintenance Interval (Maintain the item that reaches the interval first)				
	Calendar	Miles	km	Notes	
Brake					
	Front and rear braking systems	12M	6000	10000	Inspect and repair or replace if necessary
	Brake discs	12M	6000	10000	
▲	Brake pads	12M	6000	10000	
	Brake fluid level	12M	6000	10000	Inspect and replenish if necessary.
■	Brake hoses	12M	6000	10000	Inspect them to see whether they are damaged and sealed.
	Brake pedals	12M	6000	10000	Inspect free play
■	Brake fluid	24M	-	-	Replace.

▲ = The maintenance interval is shortened by 50% if the motorcycle is used badly.

■ = Have an authorized dealer repair involved components and systems.

Item	After Break-in Maintenance Interval (Maintain the item that reaches the interval first)				
	Calendar	Miles	Km	Notes	
Suspension					
■	Suspension system	-	3000	5000	Inspect and repair or replace if necessary.
■	Front and rear shock absorbers	12M	6000	10000	Inspect for oil leakage(maintain front forks and rear shock absorber according to the requirement and purpose).
Frame					
	Frame	-	18000	30000	Inspect and repair or replace if necessary.
■	Exhaust pipe sealed gasket	6M	3000	5000	Inspect the exhaust connecting part to see whether it is leakage, and inspect gasket for damage, replace it if necessary; After disassembled the muffler,change a new gasket.
Steering system					
■	Steering bearings	12M	6000	10000	Inspect and repair or replace if necessary.

▲ = The maintenance interval is shortened by 50% if the motorcycle is used badly.

■ = Have an authorized dealer repair involved components and systems.

Item		After Break-in Maintenance Interval (Maintain the item that reaches the interval first)			
		Calendar	Miles	Km	Notes
Cooling system					
	Coolant level	12M	6000	10000	Inspect and replenish if necessary.
■	Radiator fan function	12M	6000	10000	Inspect and repair or replace if necessary.
■	Cooling hoses	12M	6000	10000	
Chain					
▲	Chain lubrication	-	600	1000	Inspect immediately after riding in a rainy day.
▲	Chain tightness	-	600	1000	Inspect and adjust if necessary.
▲	Wear of chain, rear sprocket and engine sprocket	12M	6000	10000	Inspect and replace if necessary.
■	Chain guard	12M	6000	10000	Inspect and replace if necessary.

▲ = The maintenance interval is shortened by 50% if the motorcycle is used badly.

■ = Have an authorized dealer repair involved components and systems.

Item		After Break-in Maintenance Interval (Maintain the item that reaches the interval first)			
		Calendar	Miles	Km	Notes
Other parts					
■	Fault control memory	12M	6000	10000	Read with Descan.
■	Movable parts	12M	6000	10000	Lubricate, and inspect their flexibility.
■	Bolts and nuts	12M	6000	10000	Inspect their firmness.
■	Cables	12M	3000	5000	Inspect them for damage, bending and inspect their setting.
■	Pipes, ducts, hoses and sleeves	12M	6000	10000	Inspect them to see whether they have cracks, are sealed and set corrected.

▲ = The maintenance interval is shortened by 50% if the motorcycle is used badly.

■ = Have an authorized dealer repair involved components and systems.

CLUTCH LEVER FREE-PLAY

Inspect the flexibility of the clutch lever.

Straighten up the handlebar.

Slowly apply the clutch lever until the resistance is evident. Check the free-play distance of the clutch lever is within the following range.

To keep the clearance of free play at A between 0.079 in(2 mm) is appropriate.

WARNING

If there is no free play for clutch lever, the clutch cable will strain. When the clutch of the engine end in the semi-linkage state, it will easily cause slip and wear.

Inspect the free-play every time before running the engine.

Set the free-play as stipulated when necessary.

Fine adjustment of clutch lever free-play

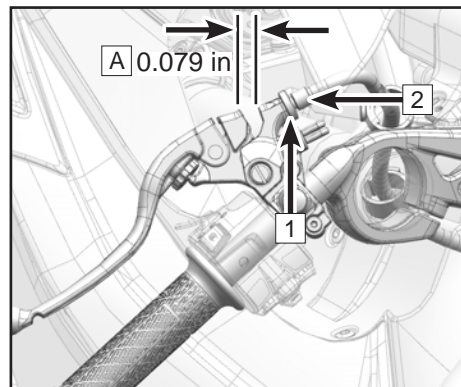
Straighten up the handlebar;

Flip over the clutch cable of the waterproof sleeve.

Loosen lock nut **1**;

Rotate the adjusting nut **2** for adjustment;

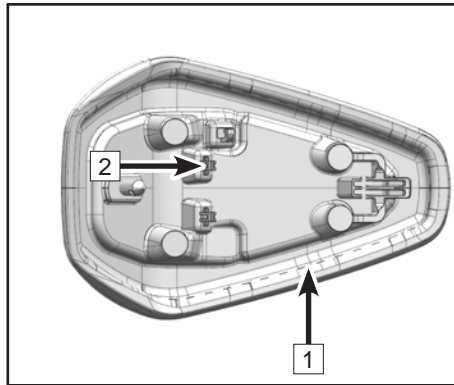
Tighten the lock nut **1**.



TOOL KIT

The accessory box is equipped with a tool kit in the factory, which includes the simple and basic maintenance tool.

The bottom of the front cushion assy and rear cushion assy [1] is not designed a space for the tool kit. But under the rear cushion assy [1] is available for the hexagon key. If necessary, you can install the hexagon key to the bottom slot [2].



FUEL SYSTEM

Fuel Tank Refilling

Avoid spilling fuel to the outside of the fuel tank when filling. If a spill occurs, wipe it off immediately to avoid pollution or causing danger.

Fuel tank volume: 3.9 gal \pm 0.13 gal (15 L \pm 0.5 L)

 **DANGER**

Gasoline is flammable, so fuel should be filled in a ventilated area. Before refueling, turn off the engine and wait for the engine and muffler to cool. No smoking or any acts that cause sparks are allowed in the fuel filling area or fuel storage area.

Never fill the tank excessively. Avoid the fuel from overflowing onto high-temperature parts. The fuel level should not exceed the maximum fuel level surface. As temperature rises, fuel can heat and expand, and then may spill over and damage motorcycle parts.

Fuel is toxic and harmful to health. Avoid touching the skin, eyes and clothes. Do not inhale fuel vapor.

If the fuel touches the skin, wash the skin with plenty of clean water.

If the fuel touches the eyes, wash eyes immediately with clean water and see a doctor immediately.

If the fuel touches the clothes, change the clothes immediately.

If the fuel is swallowed by mistake, see a doctor immediately.

After maintenance or disassembling parts of the fuel system, please contact your dealer for complete inspection to avoid fuel leaks or other dangers.

Dispose of fuel properly to avoid damage to the environment.

Fuel Requirements

The recommended fuel for your vehicle is E5 or 95(RON). Non-oxygenated (ethanol-free) fuel is recommended for best performance in all conditions.

CAUTION

Do not use leaded gasoline, as it will destroy the catalytic converter. (For further understanding, please consult related materials about the catalytic converter)

Be sure to use fresh gasoline. Gasoline oxidation will result in loss of octane and volatile compounds. It also produces colloidal and lacquer deposits which could damage the fuel system.

Octane Rating (RON)

'RON' is a technical term commonly used to describe the octane rating of gasoline. The higher the number of RON, the greater the resistance to knocking and detonation. Always use unleaded gasoline with an octane rating equal to 95# or higher.

CAUTION

If the engine has a knocking cylinder or detonation, use a unleaded gasoline of higher quality or higher RON.

ENGINE ASSY

For the engine, transmission, clutch and other parts to work properly, make sure that the oil level is between the upper and lower lines from the oil view window, and check and replace the oil according to the Periodic Maintenance Chart. Long time use of engine oil will not only produce dirt and metallic impurities, but the oil will also consume itself.

DANGER

Riding the motorcycle with insufficient, deteriorated or highly contaminated oil will cause accelerated wear and may result in engine or transmission's damage, which could cause an accident and/or personal injury.

Oil Level Inspection

Make sure the vehicle is turned off.

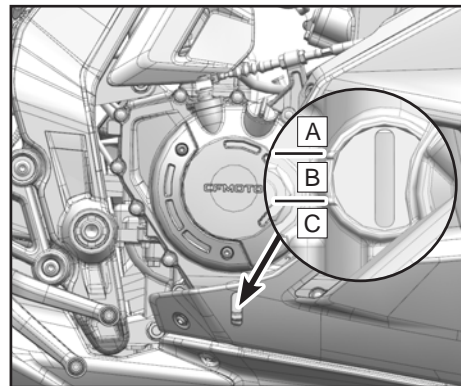
If the engine had just been running, please wait for 2 to 3 minutes for the oil to settle.

Support the vehicle vertically on a level surface, and then view the oil level inspection window:

If the oil level is at area A, drain out the oil until the level is within area B.

If the oil level is at area B, it is at the proper level.

If the oil level is at area C, or no oil level can be viewed, fill the engine with the recommended oil until the level is within area B.



Oil and Oil Filter Replacement

Park the vehicle by side stand on the level ground;
Idle the engine for several minutes to warm up the engine, then
turn off the engine;

WARNING

Warming up the engine for a long period may lead to high temperature of the engine and oil. Please wear suitable protective clothing and gloves when changing oil. In the event of scalding, wash the scalded area immediately with running water for more than 10 minutes until feeling no pain and see a doctor.

Remove the bolts .

Remove the bottom guard of the engine .

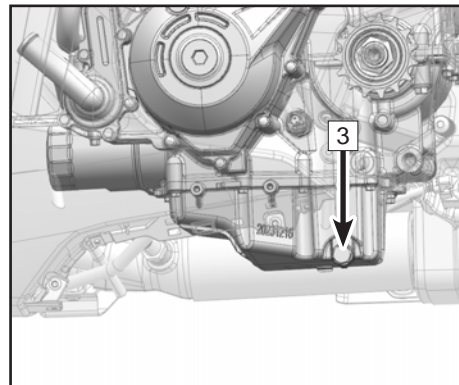
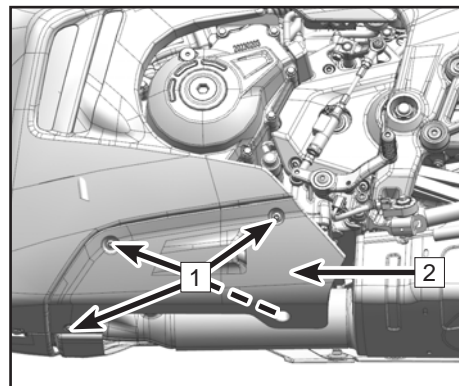
Place an oil basin under the location where drain out the oil

Remove the magnetic oil drain bolt and washer  :

Drain out completely the used oil;

WARNING

Oil is a toxic substance, so the used oil should be disposed of properly.



Remove the bolts [4].

Remove the front guard of the engine bottom [5].

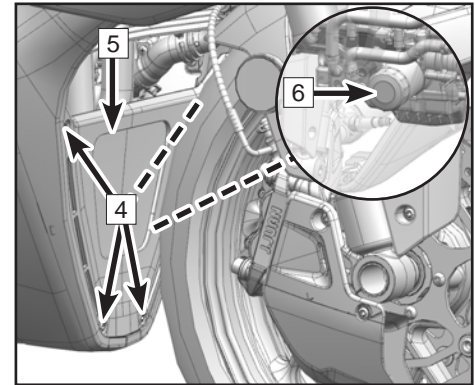
Remove the oil filter [6];

Install the new oil filter [6]

Clean the magnetic drain oil bolt and the area around the oil drain hole;

Replace a new washer, and then remount the magnetic drain oil bolt and washer [3] to the specified torque.

Tightening torque: 18.4 ft-lb (25 N•m)



Remove the oil filter screw plug [7].

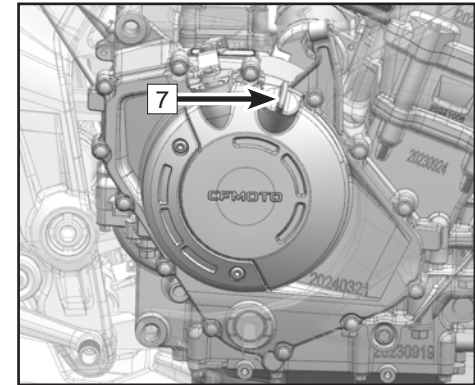
Fill with 3.27 qt (3.1 L) oil of SAE10W/40 SN and higher JASO MA2;

Remount the oil filler screw plug ;

Idle the engine for several minutes, allowing the oil to flow into the oil filter;

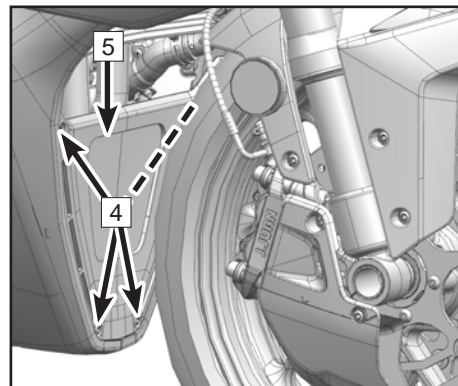
Turn off the engine;

Inspect the oil level and adjust it.



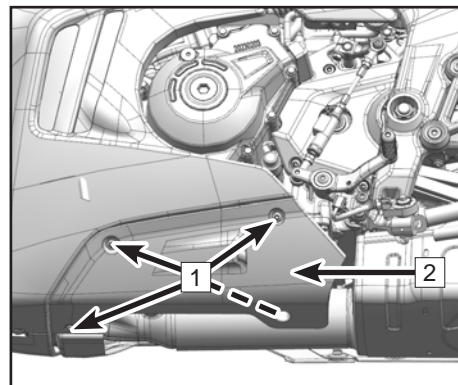
Install the front guard of the engine bottom 5

Install the bolts 4;



Install the engine bottom guard 2

Install the bolts 1



Oil replenishment

Caution


Inadequate oil or low quality oil will lead to the engine wear too early.

To ensure the optimum performance of oil, do not mix the different kinds of oil.

Replace the oil as necessary.

Remove the filler oil screw plug  and o-ring seal.

Fill with SAE10W-40 SN or higher JASO MA2 oil until area B.

Mount the oil filler screw plug  and o-ring seal, and then secure them.

Start the engine and check whether it is seals.

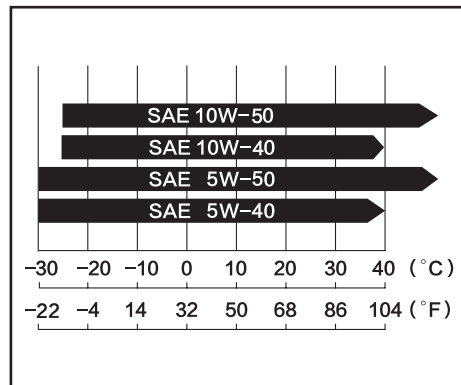
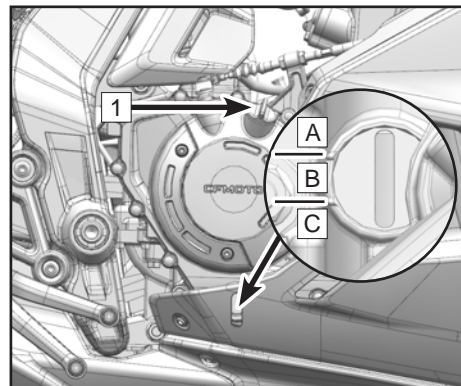
Inspect the oil level.

Oil Capacity

Replace oil filter: 3.27 qt (3.1L).

CFMOTO recommends oil with API 'SN' or higher, with JASO-MA2 as the primary choice and JASO-MA as an acceptable alternative.

Although 10W-40 oil is the recommended oil for most conditions, the oil viscosity may need to be changed to accommodate atmospheric conditions in your riding area. Please choose oil viscosity according to the chart.



Spark Plug

The spark plug should be replaced in accordance with the Periodic Maintenance Chart.

Its disassembly should only be performed by an authorized dealer.

Spark plug type: BN8RTI

Spark plug clearance 1 : 0.03 in ~ 0.04 in (0.8 mm ~ 1mm)

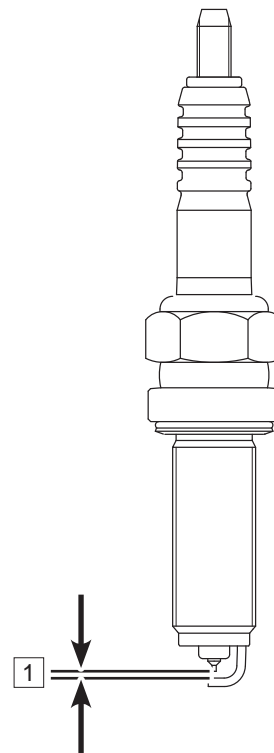
Tightening torque: 8.8 ft-lb ~ 11.0 ft-lb (12 N•m~15 N•m)

Idling

The idling speed of this vehicle has been adjusted at the factory and cannot be adjusted by users, otherwise its performance will be affected. When parts affecting idling speed need to be replaced, contact your dealer for replacement and recalibrate the ECU with Descan.

 **DANGER**

Improper adjustment of idling may cause serious consequences.



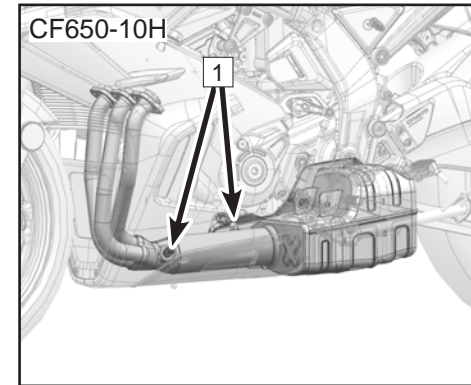
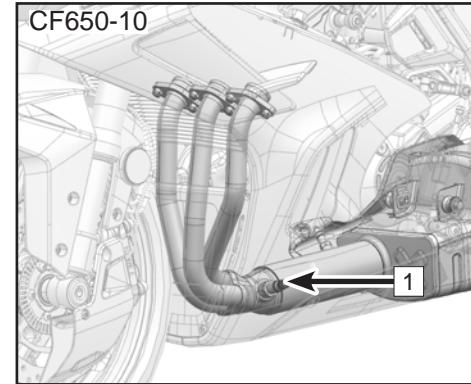
AIR INTAKE AND EXHAUST SYSTEM

Exhaust Detecting System

Exhaust detecting system depends on oxygen sensor **1** mounted on exhaust pipes, and they can detect the air & fuel combustion degree by measuring oxygen density and transferring it as an electrical signal to the ECU. If the ECU determines that combustion is not thorough, it will adjust fuel injection in accordance with signals from the Throttle Position Sensor and Intake Air Temperature sensors. By this way, the ratio of air to fuel can be optimized for thorough combustion.

Air Intake/Exhaust Valve

An air intake valve is a valve which inhaling the fresh air into the engine to mix with the fuel for combustion. To provide the engine with the necessary oxygen and fuel, to finish the combustion process. Have a dealer inspect the air intake valves in accordance with the Periodic Maintenance Chart. Also, have the air intake valves inspected whenever stable idling cannot be performed stably, engine power is greatly reduced, or there are abnormal engine noises.



An exhaust valve is a valve that expels the waste gas from the combustion to help dissipate heat and to prevent the engine from overheating. Have a dealer inspect the exhaust valve in accordance with the Periodic Maintenance Chart. Inspect the exhaust valve if the acceleration is powerless, slightly backfires when sharply applying the throttle, there is abnormal noise from exhaust pipe noise, or the vehicle is failure to start.

Air intake/exhaust valve removal and inspection should only be performed by an authorized CFMOTO dealer.

Valve Clearance

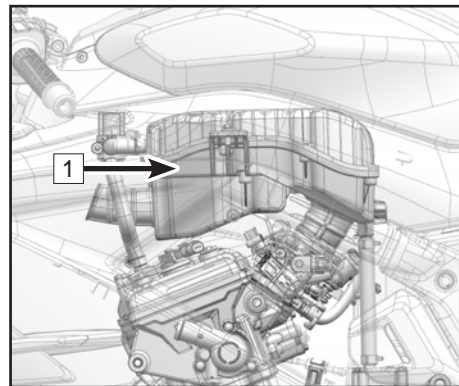
The valves and valve seats will wear during operation, thus the need for adjustment after being used for a period of time.

WARNING

When valves and valve seat tappets are wore during use, and if adjustment of the valve clearance is not performed, it will eventually result in no clearance or cause the valves remaining partly open, which reduces performance, creates valve noise, and can cause serious engine damage. Valve clearance for each valve should be inspected and adjusted in accordance with the Periodic Maintenance Chart. Inspection and adjustment should be performed by a CFMOTO dealer.

Air Filter

A clogged air filter **1** restricts air flow, increases fuel consumption, reduces engine performance, and causes spark plug to be flooded by the oil. The air filter element must be cleaned in accordance with the periodic Maintenance Chart. When riding in dusty, rainy, or muddy conditions, the air filter element should be maintained by an authorized dealer more frequently than the recommended in the periodic Maintenance Chart.



⚠ CAUTION

Oil on tires and plastic or other parts will cause damage.

If engine intakes the unfiltered air, it will suffer from a negative effect on its service life.

Never start to use the vehicle without an air filter.

Throttle Body

The stop screws on the throttle body have been set precisely and can not be adjusted. Inspect the vehicle to see whether its idling is stable, and if the idling is not stable, please ask CFMOTO to assign professional technicians to deal with this problem.

COOLING SYSTEM

Radiator and Cooling Fan

Inspect the radiator fins for deformation and obstruction by mud, and clean off any obstruction with clean water.

WARNING

When the fan is working, prevent your hands and clothing from getting inside the fan to avoid any injury.

Using high-pressure water to clean the vehicle could damage the radiator fins and reduce the radiator's effectiveness.

Mounting unauthorized accessories in front of the radiator or behind the cooling fan may obstruct or change the radiator airflow, and can lead to overheating and damage.

If the radiator is obstructed more than 20% by irremovable obstructions or irreparable deformed fins, then replace it with a new radiator.

Radiator Hoses

Inspect the radiator hoses for leaks, cracks, aging, rust, corrosion and connections for leaks or looseness daily before riding the motorcycle. Inspect the vehicle in accordance with the Periodic Maintenance Chart.

Coolant

Coolant absorbs heat from the engine and transfers it to the air by the radiator. If the coolant level is too low, the engine will overheat and may suffer from severe damages. Inspect the coolant level daily before riding the motorcycle and perform maintenance in accordance with the Periodic Maintenance Chart. Replenish the coolant if its level is too low.

To protect the cooling system (engine and radiator are made of aluminum) from rust and corrosion, the use of anti-corrosion and anti-rust chemicals in the coolant is essential. If the coolant has already these chemicals, there is no need to add them separately.

DANGER

Coolant is toxic and harmful to health.

Do not allow the coolant to touch skin, eyes or clothing.

If coolant is swallowed, see a doctor immediately.

If coolant touches the skin, flush the skin with plenty of clean water immediately.

If coolant touches the eyes, flush the eyes with plenty of clean water and see a doctor immediately.

If coolant splashes on clothes, change the clothes and wash them immediately.

Any corrosion or rust remains from the engine and radiator should be disposed of by special instructions, because the chemicals inside are harmful to the human body.

⚠ CAUTION

Do not add tap water to the coolant system, for it will cause deposit inside the cooling system. When the temperature is below 0°C, ice will occur and severely affect the coolant system and damage the engine. Available bottled antifreeze in the market contains anti-corrosion and anti-rust chemicals. When it is diluted, it loses its anti-corrosion and anti-rust function. Keep the diluted concentration of antifreeze the same as the instructions from the manufacturer.

When replenishing the coolant which color is green and contains ethylene glycol. When the environment temperature is below -31°F (-35°C), please ensure the coolant has a freezing point below -31°F (-35°C).

CFMOTO coolant is an Organic Acid Technology (OAT) formula. When replenishing or replacing coolant, verify the label states 'compatible with one or more of the following formulas: OAT or Si-OAT, G30, G40, G12++'

Coolant Level Inspection

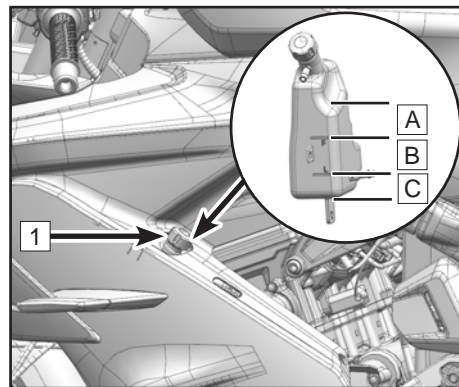
Support the vehicle upright on a level surface;

Inspect the coolant level in the reservoir **1**;

If the level is at area 'A': Drain out the redundant coolant until it is at area 'B';

If it is at area 'B': The coolant is at the proper level;

If the level is at area 'C' or cannot be seen: Replenish it with the same coolant until the level is at area 'B'.



WARNING

When the vehicle is running, the coolant will have a very high temperature and stay in a state of compression.

Before the engine or cooling system has cooled down completely, do not open the radiator, radiator hoses, reservoir or other cooling-related parts.

In the event of scalding, wash the scalded area immediately with running water for more than 10 minutes until the pain can not be felt and see a doctor.

Coolant Replenishment

Open the reservoir cover and replenish coolant to area B.

CAUTION

If coolant needs to be replenished frequently, or the reservoir is completely dry, there is probably a leak in the system. Have the cooling system inspected by an authorized dealer.

Only recommend the original CFMOTO coolant. Contact your dealer for replacing coolant. Mixing different coolant may lead to engine damage.

TIRES AND CHAINS

This vehicle only uses tubeless tires, rims and inflating valves. Only use the recommended standard tires, rims and inflating valves. Do not mount inner tube tires on tubeless rims. Improper mounting of tires may cause air leakage. Do not mount an inner tube inside a tubeless tire.

Tire Specifications

Tire specifications	Front wheel	120 / 70 ZR17 M / C 58W
	Rear wheel	180 / 55 ZR17 M / C 73W
Tire pressure	Front wheel	33.3 psi (230 kPa)(It is recommended that adjust the tire pressure to 30.5 psi (210 kPa) if fiecely riding on the paved road.)
	Rear wheel	37.7 psi (260 kPa)
Minimum tread depth	Front wheel	0.03 in ~ 0.04 in (0.8 mm ~ 1 mm)
	Rear wheel	0.03 in ~ 0.04 in (0.8 mm ~ 1 mm)

Improper tire pressure or exceeding the tire load limit may affect the vehicle handling and performance, causing a loss of control.

Make periodic inspections on the tire pressure by a tire pressure gauge and adjust tire pressure accordingly.

Too-low tire pressure may cause the tire improper wear or overheating.

Proper tire pressure offers the best comfort and the longest service life.

NOTE:

Inspect the tire pressure when the tires are cold.

Tire pressure is affected by the change of environment temperature and altitude. If the environment temperature and altitude have a big change during riding, tire pressure should be adjusted and inspected accordingly.

Most countries have their own regulations of minimum tread depth. Please follow local regulations. When mounting new rims or tires, always inspect the wheel balance of the tires.

⚠ CAUTION

In order to ensure safe and stable operation, please only use the tire and pressure recommended. If the tire is punctured and repaired, please do not ride the vehicle at over 100km/h until 24hours after, and the speed cannot exceed 130 km/h at any other time.

The front and rear wheel should come from same manufacture and with the same tread pattern.

New tires can be slippery and may cause a loss of control and injury. Please ride the vehicle in proper ways and use different tilt angles to have the tires create friction with the ground over the entire surface. Normal friction surface will be formed after a 200km break-in period. Avoid sudden braking, heavy acceleration, and high-speed sharp turns during the break-in period.

⚠ CAUTION

CFMOTO recommended that tires should be stored at temperatures above 0°C.

Before replacing tires, it is recommended that semi-hot melt tires be placed for more than 24 hours at above 0°C and hot melt tires at above 10°C.

At room temperature, rubber material performs well in terms of elasticity and toughness. As the ambient temperature decreases, rubber state changes from a highly elastic to a glassy at a specific temperature. Therefore, the rubber molecules lose the elasticity by freezing, and this temperature is known as the glass transition temperature.

Although the tire rubber may be appear a glassy state, this phenomenon is reversible. If the tire without physical damage or wounds, follow the guide to raise the tire temperature to restore its elasticity and to be used normally when the tire at the glassy state.

⚠ CAUTION

Semi-hot melt and hot melt tires require excellent grip and handling, and special synthetic rubbers are used in the tread rubber formula. The glass transition temperature of these particular rubbers will be 20°C~40°C higher than that of ordinary rubbers, making them more prone to the glass transition state.

Rubber materials become fragile in the glassy state, at which point the molecular chain of the tire will fracture if it is subjected to a slight impact or blow. The tire surface shows dendritic cracks from exterior looks. This situation due to improper maintenance and tires storage, not a quality problem, CFMOTO will not be responsible for the claim.

Tire Friction

When tire tread wears too severely and the tire cannot be used, the tire becomes more susceptible to punctures and failures. An accepted estimate is that 90% of all tire failures occur during the last 10% of tire service life, so it is unsafe to continue to use bald tires. In accordance with the Periodic Maintenance Chart, measure the depth of the tread with a depth gauge, and replace any tire that has been worn down to the minimum allowable tread depth.

Visually inspect the tire tread for cracks and cuts, and replace it with a new tire if it is severely damaged. For example, if partial expansion appears on the tire, it means the tire is broken.

Remove any embedded stones or other foreign particles from the tread.

⚠ CAUTION

When the environment temperature is below 32°F (0°C), it is recommended to place the vehicle indoors if required to be stored for a long time.

Do not use side stand to park the vehicle for long time in winter. Use the frame to park the vehicle, to let the tires be free of the wheel weight.

Do not allow the tires to sink into snow or ice for a long time when parking the vehicle in winter.

When parking the vehicle for a long time outside in winter, it is recommended to put objects that can preserve the heat such as branches, paper or sand under the tires.

Drive Chain Inspection

The looseness and lubrication of the drive chain must be inspected daily before riding and safety cautions in the Periodic Maintenance Chart must be observed to prevent excessive wear. If the chain becomes badly worn or maladjusted, it will cause the chain to be too loose or too tight.

If the chain is too tight, it will accelerate the wear to the chain, sprocket, rear sprocket and rear rim. Some parts may crack or break when the vehicle is overload.

If the chain is too loose, the chain may fall off from the sprocket or rear sprocket, which may cause locking of the rear wheel or damages to engine.

The service life of the drive chain largely depends on the maintenance.

Chain dirt inspection

Inspect periodically or inspect the chain for dirt after driving in severe conditions.

If the chain is extremely dirty, flush any large dirt particles with a soft flow of water. Clean any residual dirt and residual lubricant with a proper chain cleaner.

Spray the chain with a proper chain lubricant after the chain is dry.

WARNING

When spraying chain lubricant, do not splash the lubricant onto other parts. Lubricant on the tires will decrease the tire grip, and lubricant on the brake discs will decrease the brake performance. Clean these components with a proper cleaner if the over-spray occurs.

Chain tension inspection

Shift the gear into Neutral;

Park with the side stand;

Push up the chain to inspect its tension;

If the chain tension is not in line with relevant specifications, then adjust it to the standard.

Standard value: 1.18 in ~ 1.57 in (30 mm ~ 40 mm)

NOTE:

The wear of the chain is not always uniform, and the tension should be repeatedly measured by rotating the rear wheel several times in different positions.

The diagram is enclosed in a rectangular border. The upper portion shows a side view of a motorcycle's rear wheel and chain. A dashed line represents the chain's path. Two arrows point to the chain's position relative to the wheel's axle. The lower portion shows a top-down view of a chain segment. A horizontal dimension line spans across the chain, with the text '1.18 in ~ 1.57 in' centered below it. Two arrows point upwards from the dimension line to the top and bottom of the chain link.

130

Drive Chain Tension Adjustment

Loosen the rear wheel shaft nut **1**;

Loosen the LH&RH locking nut **2**;

Through rotate the adjusting bolt **3** from the left and right to adjust the chain tension.

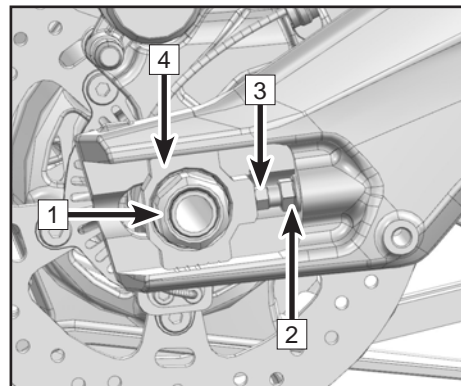
Ensure that the counterpart position between the mark of the left and right chain adjusting block **4** and the reference mark are same.

Ensure that the adjusting bolt **3** from the left and right is close against the chain adjusting block **4**.

Tighten the left and right locking nut **2**.

Secure the rear wheel shaft nut **1** until the specified torque.

Torque: 66.3 ft-lb (90N.m)



Wear inspection

Shut down the vehicle and turn off the power supply, shift the transmission into Neutral;

Support the vehicle with the frame.

Pull the lower part of the chain with the specified balance block **A**.

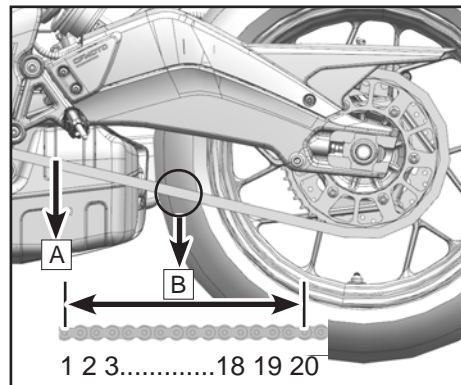
Hang a 22 lb (10 kg) weight from the chain.

Measure the elongated length **B** between 20 links;

NOTE: The wear of the chain is not always uniform, and the weariness should be repeatedly measured several times in different positions.

The maximum length **B on the 20 links: 12.6 in (320.7 mm)**

If the length **B** longer than the specified size, then replace the whole set of the transmission.



⚠ DANGER

For your safety, please use the standard chain. When the chain is elongated, never cut the chain and use it again. Have it replaced by an authorized CFMOTO dealer.

If replace a new chain, then replace the rear sprocket and engine sprocket at the same time. Otherwise, it will accelerate the weariness of the new chain.

Inspect the chain, rear sprocket and engine sprocket tooth surface for any kind of wear.

If the chain, engine sprocket or rear sprocket is worn, then replace the whole set of the transmission.

NOTE: Chain, rear sprocket and engine sprocket should be replaced at the same time.

Chain guard

Replace the chain guard if it has badly worn at mark a.

Inspect whether the chain guard for firm.

If the chain guard is loosened, tighten its fixed bolts to specified torque.

Torque: 4.4 ft-lb (6N•m)



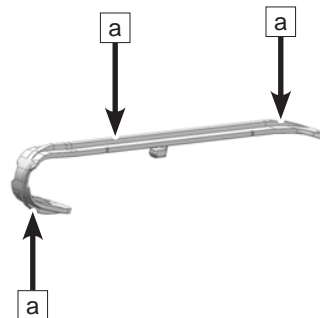
Standard Teeth



Worn Teeth



Damaged Teeth



BRAKE SYSTEM

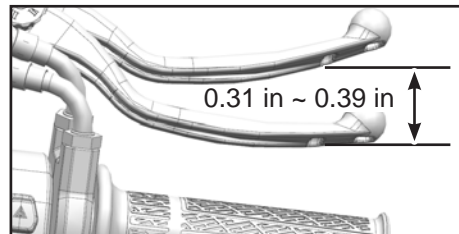
In order to guarantee excellent performance of your vehicle and personal safety, please inspect and maintain the vehicle according to the Periodic Maintenance Chart. Make sure all the parts of the brake system are in a good state. If any damage occurs to the brake system, please stop riding and have your vehicle inspected and maintained by an authorized dealer.

Front Brake Lever Inspection

Park the vehicle with the side stand on level ground;
Grip lightly the front brake lever and inspect its free travel.

Free travel: 0.31 in ~ 0.39 in (8 mm ~ 10 mm)

Inspect the front brake lever for any cracks or abnormal noise;
If these problems occur, replace the front lever with a new one.

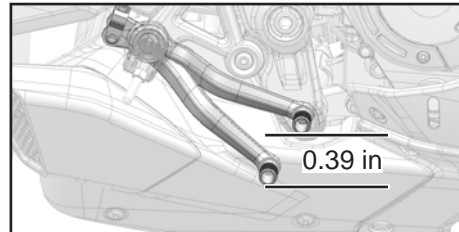


Rear Brake Pedal Inspection

Park the vehicle with the side stand on level ground;
Lightly grip the rear brake pedal and inspect its free travel

Free travel: 0.39in (10mm)

Inspect the rear brake pedal for any cracks or abnormal noise;
If these problems occur, replace the rear lever with a new one.



⚠ WARNING

If the brake levers and pedals feel soft, there may be air or lack of fluid in a brake fluid hose. If the vehicle has this dangerous condition, do not ride the vehicle. Have the brake system inspected immediately by an authorized CFMOTO dealer.

Brake Fluid Level Inspection

Support the vehicle vertically on level ground, and confirm the brake fluid reservoirs are level;

Inspect the front and rear brake reservoir fluid levels;

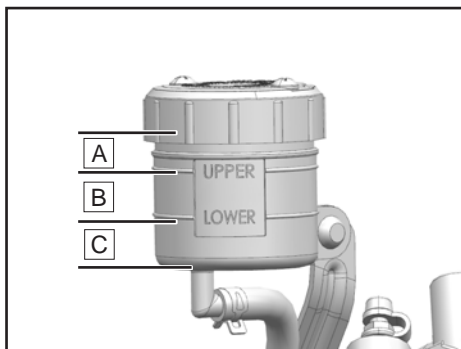
If the brake fluid level is at area 'A': Drain out the redundant fluid until it is at area 'B';

If the brake fluid level is at area 'B': The level is proper;

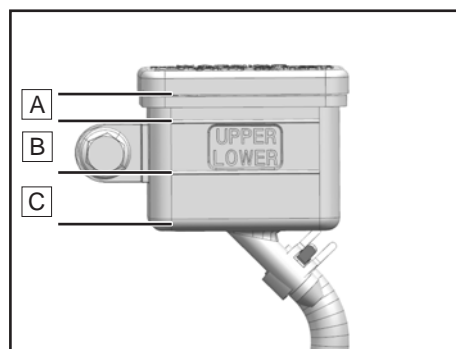
If the brake fluid level is at area 'C' or cannot be seen: Replenish it with the same brake fluid until the level is at area 'B'.

WARNING

If the brake fluid level drops to area 'C' frequently, the brake system is leaking, not sealed, or is damaged. Have the brake system inspected immediately by an authorized CFMOTO dealer.



Front brake fluid reservoir



Rear brake fluid reservoir

Brake Fluid Replenishment

WARNING

Brake fluid can irritate the skin.

Keep brake fluid out of the reach of children.

Keep brake fluid away from skin, eyes or clothing. Wear protective clothing and goggles when operating the vehicle.

If brake fluid is swallowed, see a doctor immediately.

If brake fluid touches the skin, wash the skin with plenty of clean water.

If brake fluid touches the eyes, wash eyes immediately with clean water and see a doctor immediately.

If brake fluid spills onto your clothing, change the clothing and wash it immediately.

WARNING

Brake fluid used for a long time will reduce braking efficiency. Please change the brake fluid according to the Periodical Maintenance Chart. Only use the same type DOT4 brake fluid as marked on the fluid reservoir. The mixing of different brake fluids may cause brake system damage or failure, so it is recommended to always use the original CFMOTO brake fluid. If you cannot make sure the original brand, please contact your authorized CFMOTO dealer for brake fluid maintenance.

NOTE

When the brake fluid level goes down, it causes negative pressure inside the fluid reservoir, which may lead the reservoir gasket to sag. Remove the reservoir cap to release the pressure, adjust the reservoir gasket and then remount the gasket and cap.

Front brake fluid reservoir

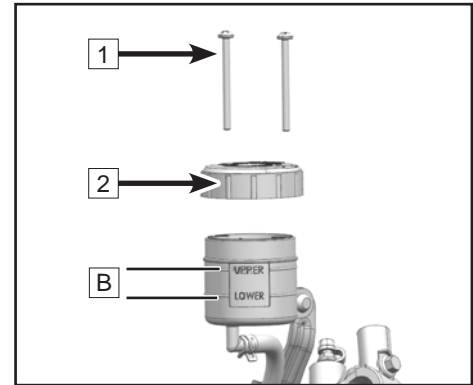
Remove bolts [1] .

Remove the reservoir cover and gasket [2] .

Replenish brake fluid to area 'B';

Remount the cover and reservoir gasket [2] ;

Mount the bolt [1] .



Rear brake fluid reservoir

Remove bolts [1] .

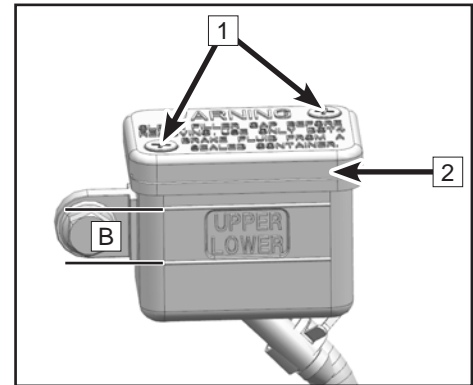
Remove the reservoir cover and gasket [2] .

Replenish brake fluid to area 'B'.

Remount the cover and reservoir gasket [2] ;

Mount the bolt [1] .

⚠ NOTE
Inspect for oil spills, if any, wipe them off.



Brake Disc Inspection

Inspect brake discs periodically for any damage, out of shape, cracks or wear. Damaged brake discs may cause braking failure. Worn-out brake discs will decrease braking performance. If brake discs are damaged or exceed the wear limit, contact an authorized dealer to replace them with new ones immediately.

Inspect the thickness of front and rear brake discs in several positions.

Front brake discs wear limit: 0.16 in (4 mm).

Rear brake discs wear limit: 0.16 in (4 mm).

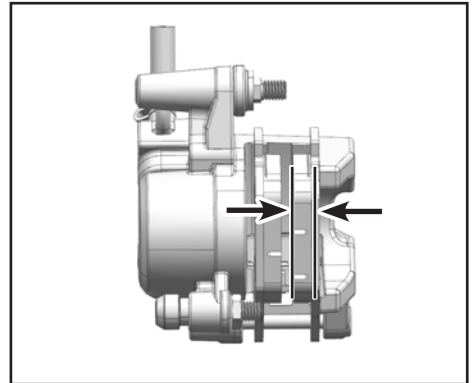
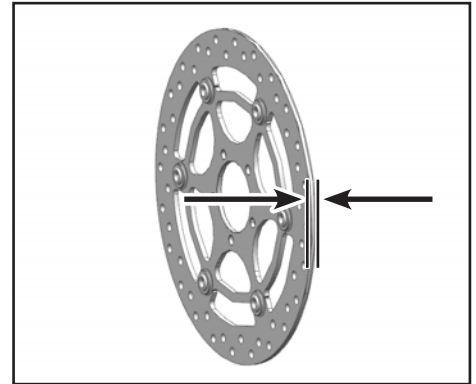
Brake Caliper Inspection

Inspect the brake calipers before riding. Inspect the minimum thickness of brake pads periodically. If the brake pads are too thin, their brackets will rub the brake discs, which will severely reduce brake effect and damage the brake pads.

Inspect the minimum thickness of brake pads on all brake calipers.

Brake pad minimum thickness: 0.04 in (1 mm).

If the brake pad thickness is less than the minimum limit, or the brake pads are damaged, please contact an authorized dealer immediately to replace the pads in pairs.



Anti-lock Braking System (ABS)

ABS is a safety system that prevents locking of the wheels when riding in a straight line or a curve without the influence of lateral forces.

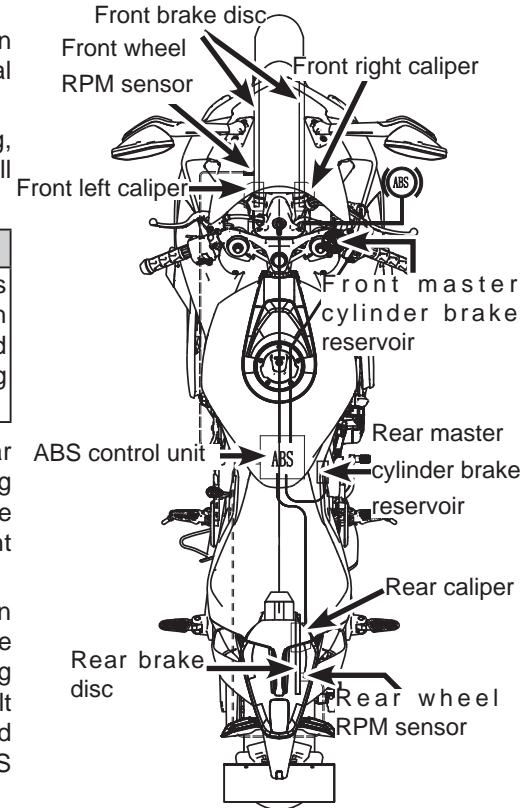
With the assistance of ABS, when riding on gritty, water-logging, sliding or other low-adhesive force roads, the vehicle can use its full brake force and will face no risk of wheel locking.

⚠ DANGER

Driving assistance can only prevent motorcycle from rollovers within the physical limits. In extreme driving conditions, such as high baggage loading center of gravity, changeable road conditions, steep slopes and full-speed braking without releasing the brake, motorcycle rollovers may occur.

ABS works with two independent brake circuits (front and rear brakes). When the brake electronics control unit detects a locking tendency in a wheel, ABS begins to work by adjusting the brake pressure. The adjusting process can be felt through as a slight bouncing of the front or rear brake pedals.

When turning on the ignition switch, the ABS indicator will turn on, and then turn off after the motorcycle begins traveling. If the ABS indicator is still on after travel begins or lights up again during riding, the ABS has been determined to have some fault. If a fault occurs, ABS will not activate, and the wheels may lock during hard braking. The braking system still functions normally. Only the ABS system itself is deactivated.



SHOCK ABSORBER

Shock Absorber Inspection

Holding the handlebar and front brake, compress the front fork for several times to inspect it to see whether its working is smooth;

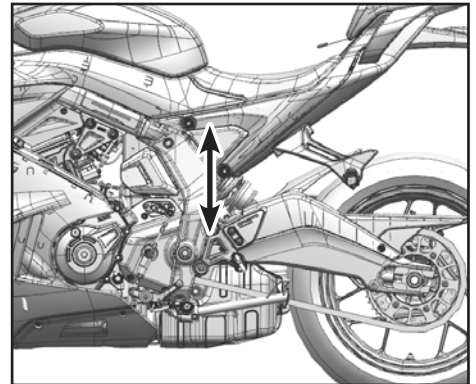
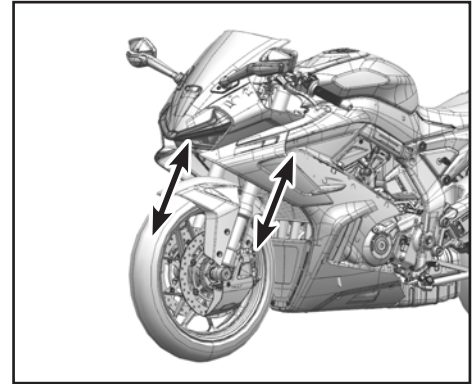
Visually inspect the front shock absorbers for oil leaks and front fork for scratches or friction noise;

After riding, inspect the front fork to see whether it has mud, dirt or debris, and if so, clean them, or they will lead to oil seal damage and shock absorber oil leak;

Press down the seat several times to inspect it to see whether the rear shock absorber works smoothly;

Inspect the rear shock absorber for oil leak;

If you have any doubt about the front or rear shock absorber performance, please contact an authorized CFMOTO dealer.



Front Shock Absorber Adjustment

The shock absorber has been adjusted at the factory to the position best suited for most situations.

Rebound Damping / Compression Damping Adjustment

Rebound damping: TEN Compression damping: COMP

Rebound damping affects the response speed of shock absorber. The lower the rebound damping adjuster setting [1], the slower the rebound speed of the suspension. The higher the rebound damping setting, the faster the rebound speed of the suspension.

Compression damping affects the response speed of shock absorber. The lower the compression damping setting [2], the slower the compression speed of the suspension. The higher the rebound compression setting, the faster the compression speed of the suspension.

Factory setting: 10

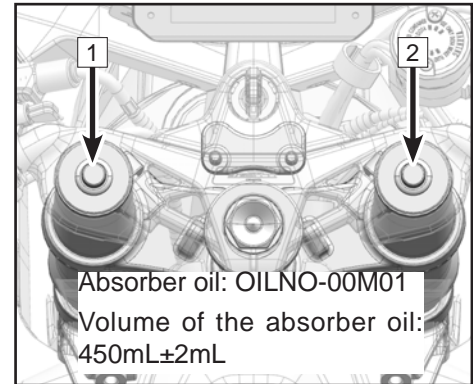
Total available settings: 20 ± 2

Rotate the gear counterclockwise ('S' direction) with a screwdriver and record the number of clicks to decrease rebound damping / compression damping. Rotate the gear clockwise ('H' direction) with a screwdriver and record the number of clicks to increase rebound damping / compression damping.

Rebound Damping / Compression damping restore factory setting

Fully rotate the adjuster back from the recorded clicks to restore the factory setting. Or rotate the adjuster clockwise with 0.5 N.m ('H' direction) to the end, and then rotate it counterclockwise ('S' direction) to the 10th click.

Contact a CFMOTO dealer before attempting any damping adjustment. Please do not adjust without having proper knowledge of the effects of such an adjustment.



Preload Adjustment

Front shock spring preload influences the force needed for spring compression. The higher the preload, the more force will be needed to compress the spring a certain distance. The lower the preload, the less force will be needed to compress the spring the same distance. So a high preload results in a hard spring and vice versa.

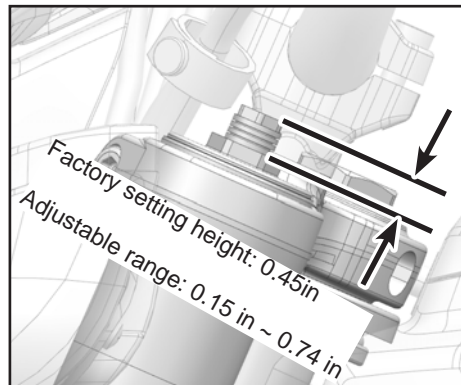
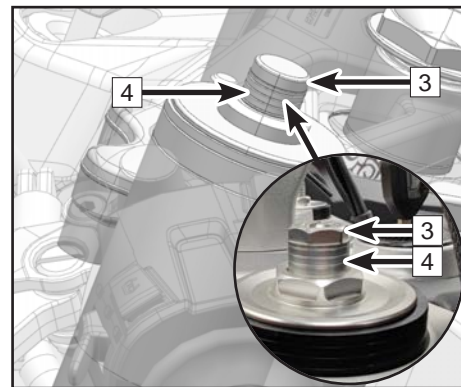
Factory setting height: 0.45 in (11.5mm)

Adjustable range: 0.15 in ~0.74 in (4mm~19mm)

Turn the preload adjusting nut **3** clockwise (H direction) to add spring preload. Turn the preload adjusting nut **3** counterclockwise (S direction) to reduce spring preload.

When adjusting the preload, ensure the number of the exposed line **4** appear equally on both left and right (Keeping at the same height).

Contact a CFMOTO dealer to perform the preload adjustment of the shock absorber. Do not attempt to adjust it by yourself.



Rear Shock Absorber Adjustment

The shock absorber has been adjusted at the factory to the position best suited for most situations.

Rebound Damping Adjustment

Rebound damping affects the response speed of shock absorber. The lower the rebound damping adjuster setting 1, the slower the rebound speed of the suspension. The higher the rebound damping setting, the faster the rebound speed of the suspension.

Factory setting: 10

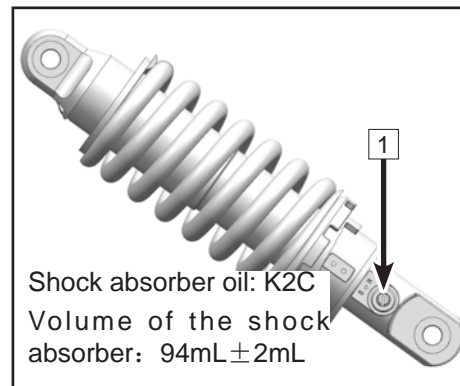
Total available settings: 20 ± 2

Rotate the adjuster counterclockwise (“S” direction) with a screwdriver and record the number of clicks to decrease rebound damping. Rotate the adjuster clockwise (“H” direction) with a screwdriver and record the number of clicks to increase rebound damping.

Rebound Damping Restore Factory Setting

Fully rotate the adjuster back from the recorded clicks to restore the factory setting. Or rotate the adjuster clockwise (“H” direction) to the end, and then rotate it counterclockwise (“S” direction) to the 10th click.

Contact a CFMOTO dealer before attempting any rebound damping adjustment. Please do not adjust without having proper knowledge of the effects of such an adjustment.



DANGER

This part contains high-pressure nitrogen. Improper operation may cause an explosion. Read the relevant instructions. Don't throw it into fire, make holes in it, or open it.

Spring Preload Adjustment

By adjusting the spring preload of the rear shock absorber to fit in the different road conditions and riding requirements.

Factory setting: 4

Total available settings: 10

Rotating the spring seat [2] with the shock absorber adjuster key [1] to adjust a proper spring preload.

Rotate the adjusting seat [2] to “a” direction with a wrench to decrease the spring preload.

Rotate the adjusting seat [2] to “b” direction with a wrench to increase the spring preload.

NOTE:

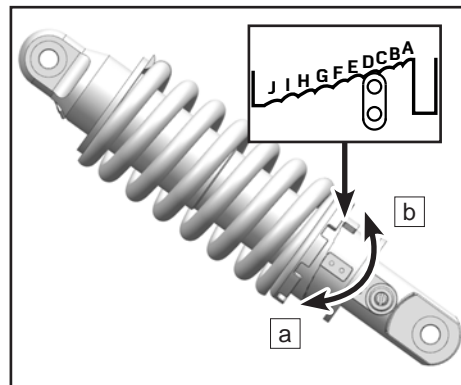
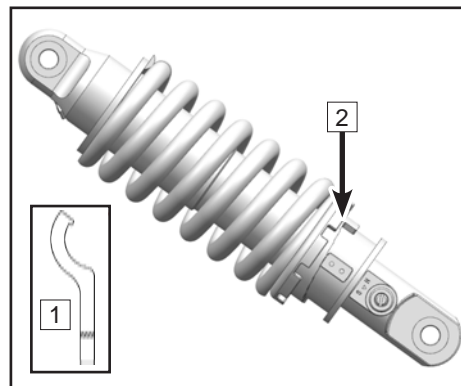
Dealer has the wrench to adjust the spring preload. (If the wrench is not in the tool kit, contact your dealer to have it.)

Factory setting: D (4)

A-minimum (soft)

J-maximum (hard)

Contact your CFMOTO authorized dealer to adjust the spring preload. Please do not adjust it without having proper knowledge of the effects of such an adjustment.



ELECTRICAL SYSTEM AND LIGHTS

Battery

The battery in this vehicle is a lead-acid battery. It is unnecessary to inspect the amount of battery electrolyte or add distilled water. To ensure optimum service life of the battery, keep the battery charged properly to ensure the battery has reserve capacity available at the starter motor. When the motorcycle is used frequently, the battery charge is maintained by the motorcycle charging system. If the motorcycle is used only occasionally, or is used only for short rides, the battery can remain discharged. Batteries can also self-discharge from infrequent use. The rate of discharge varies by battery type and ambient temperature. When the environmental temperature rises, for example, the rate of discharge could increase by a factor of 1 for every 15°C temperature rise.

In cold weather, an improperly charged battery may have frozen electrolyte, which may lead to battery cracking or warped electrode plates, which appear as a bulge on the battery sides. Proper, full charging of the battery improves its freeze-proof capability.

CAUTION

To avoid battery damage and power loss, do not idle the vehicle for more than 30 minutes. Otherwise the vehicle cannot be started.

Battery sulfation

A common battery failure is sulfation. When the battery is short of power for a long time, electrolyte can be sulfated. Sulfation is an abnormal product produced by chemical reactions in the battery. If battery sulfation occurs, battery discharging can cause the battery plate permanent damage, and cause the battery to be impossible to be charged. When such a failure occurs, the battery must be replaced with a new one.

Battery maintenance

Always keep the battery fully charged, or the battery may be damaged.

If the vehicle is driven infrequently, inspect the battery voltage weekly with a voltmeter. If it drops below 12.8 volts, the battery should be charged (contact your dealer for an inspection). If you will not use the vehicle for longer than 2 weeks, the battery must be charged with a charger. Do not use an automotive quick-charger, which may overheat the battery and damage it. If the vehicle is not used for one month or longer, please remove the battery, and place it in a dry, cool place. Fully charge the battery before remounting it.

Clean the battery case with a soft brush dipped in a mixture of baking soda and water.

Use a wire brush to remove corrosion on positive and negative lug plates and positive and negative anodes.

The battery must be removed from the vehicle when it is being charged.

Battery charger

Low-maintenance lead-acid batteries require special chargers (constant low voltage/ampere). Using traditional battery chargers will reduce battery life. Contact your dealer for battery charger specifications.

Battery charging

Remove the battery from the vehicle.

Connect the charger cables, and ensure that the charging current is 1/10 A of the battery capacity. For example, if battery capacity is 10 Ah, the charging current should be 1 ampere.

Ensure that the battery is fully charged before mounting it in the vehicle.

WARNING

Do not remove the battery's sealing strip, or the battery will be damaged. Do not mount an ordinary battery in this motorcycle, or the electrical system will not work properly.

When removing the battery, firstly disassemble the negative pole and then the positive pole. During mounting, the connection sequence of positive and negative poles is opposite to that of disassembly.

NOTE: When charging a low-maintenance lead-acid battery, always follow the instructions in this manual.

Battery Removal

Place the vehicle on flat ground and park it;

Completely turn off the engine and power supply of the vehicle;

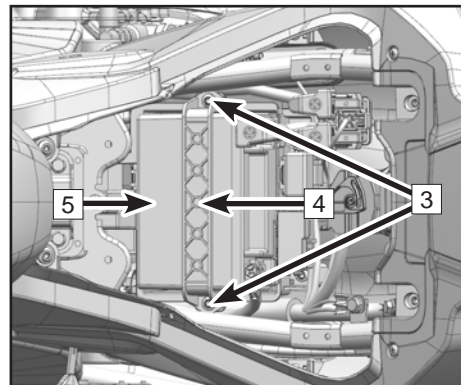
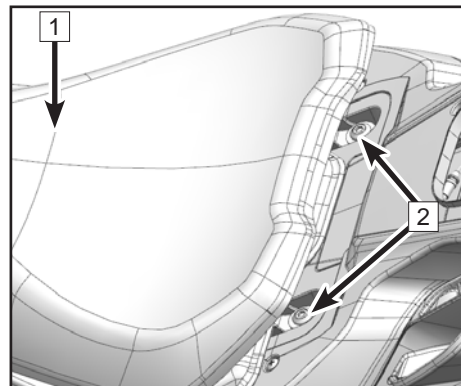
Pull the tail part of the front cushion assy **1** and remove the bolts **2** .

Remove the black negative wire (-);

Remove the red positive pole wire (+);

Remove the bolts **3** , and remove the battery press plate **4**;

Remove the battery **5** .



Battery Mounting

Park the vehicle on flat ground;

Ensure that the vehicle's key is in the closed position;

Put in the battery;

Mount battery press strip;

Mount the battery press strip fixedbolt;

Mount the red positive pole wire (+);

Mount the black negative wire (-);

Remount the seat.

WARNING

Avoid direct touching with the skin, eyes and clothing. Always protect eyes when working near the battery. Keep the battery out of reach of children. Keep the battery away from sparks, open flames, cigarettes, or other ignition points. When using or charging batteries in a confined space, ventilate the area.

Battery acid detoxification treatment:

External: Rinse the touched area with clean water.

Internal: See a doctor immediately.

Eyes: Rinse the eyes with clean water for 15 minutes and see a doctor immediately.

CAUTION

Improper disassembly and assembly of positive and negative wires may lead to a short circuit between the battery and the vehicle body.

Lights

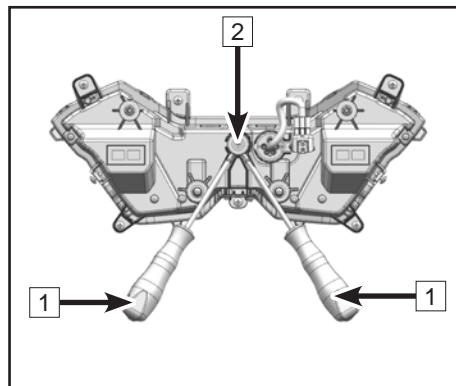
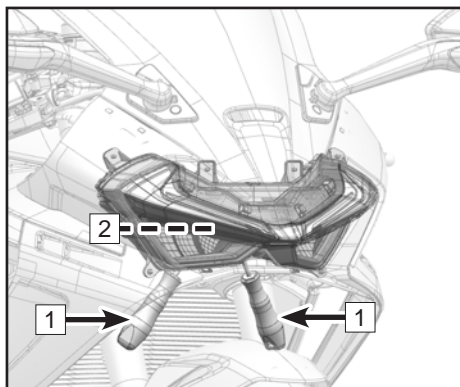
Headlight is adjustable. Rotate the light adjusting knob **2** with the screwdriver **1** to adjust light.

⚠ CAUTION

Adjustment of high / low beams should be in accordance with local regulations. The standard is based on the light emitted when front and rear wheels touch down the ground and the rider sits on the vehicle.

All the lights are LED lights. Have your dealer replace the entire assembly if any LED is damaged or has failed.

Low beam light instruction: when the vehicle is powered on, this light will be lit automatically.

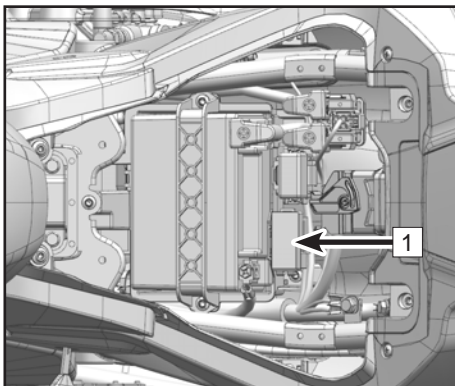


Fuses

Fuse box **1** is under the seat, it is visible after removing the seat (Refer to the battery removal chapter). If a fuse is blown, inspect the electrical system for damage and replace the fuse with the new one.

⚠ WARNING

Do not use any wire to substitute for the standard fuse. Replace a blown fuse with a new one of the same ampere. Ampere value is shown on fuse.



CATALYTIC CONVERTER

This motorcycle is equipped with a catalytic converter in the exhaust system. Precious metals in the catalytic converter convert carbon monoxide, carbon oxides and nitrogen oxides in the exhaust gas into gases that are harmless to humans.

For proper operation of the catalytic converter, the following cautions must be followed:

Only use unleaded gasoline. Never use leaded gasoline which will significantly reduce the service life of the catalytic converter.

Do not let the vehicle skid when the ignition switch or the stop switch is off; Do not attempt to start the engine for a longer time when the battery is low in power. When the gear is not in Neutral, do not drag the vehicle or let the piston move. Under these improper conditions, extra unburned air/fuel mixture can flow into exhaust system, accelerating the reaction with the converter which will damage the heated engine, or reduce the converter performance when the engine is cooled off.

CAUTION

Only use unleaded gasoline. Even only a little lead can damage the precious metals inside the catalytic converter, causing catalytic converter failure. Do not add anti-rust oil or engine oil into the muffler, which may result in catalytic converter failure.

EVAPORATIVE EMISSION CONTROL SYSTEM

(If equipped)

This vehicle is equipped with an EVAP System. Please contact a CFMOTO dealer if the EVAP System has failed. Do not modify the System, or the System will not meet requirements for environmental regulations. After disassembly and repair, tube connections should be well connected without air leakage, blocking, and tubes should be without being squeezed, broken or damaged, etc. Fuel vapors from the fuel tank are drawn into a carbon tank through an absorption tube. The fuel vapors are absorbed by active carbon in carbon tank when the engine is stopped. When the engine is running, fuel vapors absorbed in the carbon tank will flow into the engine combustion chamber and get burned, avoiding environmental pollution by preventing fuel vapors being discharged directly into the air. Meanwhile, air pressure inside the fuel tank can be balanced by the absorption tube. If inner pressure of fuel tank is lower than the outside, it can be balanced through the ventage port of the carbon tank and absorption tube. In this context, all tubes should always remain clear without being blocked or squeezed, etc., and the anti-toppling valve should be mounted correctly, otherwise the fuel pump could be damaged, the fuel tank can also become deformed or broken or other parts may be damaged.

CLEANING AND STORAGE

General Precautions

Keeping your motorcycle clean and in the best performance will extend the vehicle service life. Protecting your motorcycle with a high quality, breathable motorcycle cover.

- Always clean the motorcycle after the engine and exhaust system have cooled.
- Avoid applying detergents on seals, brake pads, and tires.
- Clean the vehicle by hand. Do not use high-pressure spray.
- Avoid all chemicals, solvents, detergents, and household cleaning products like ammonium hydroxide.
- Gasoline, brake fluid, and coolant will damage painted surfaces. Wash them off with water immediately if splashed on any surface.
- Do not use metal brushes, steel wool, and all other abrasive pads or brushes to clean the vehicle.
- Be cautious when washing the windshield, headlight cover, and other plastic parts as they can be easily scratched.
- Avoid water-cannon, as the water may penetrate into seals and electrical components to damage the vehicle.
- Avoid spraying water into No-water areas such as air intakes, fuel system, electrical components, muffler outlets and the fuel tank lock.

Washing the Vehicle

- Rinse the vehicle with cold water to remove any loose dirt.
- Mix a bucket of detergent (specialized for motorcycles or automobiles) with water. Use a soft cloth or sponge to wash your motorcycle. If necessary, use a mild degreaser to remove any oil or grease. Start at the top of the motorcycle and wash bottom parts last.
- After washing, rinse your motorcycle with clean water to remove any residue (residue from the detergent can damage the components of your motorcycle).
- Dry off your motorcycle with a soft cloth and inspect it for any scratches.
- Start the engine and allow it to idle for several minutes. The heat from the engine will help dry off the vehicle in moist areas.
- Carefully ride the motorcycle at low speed and apply the brake several times. This will help to dry the brakes and restore their normal operating performance.
- Lubricate the drive chain to prevent rusting.

NOTE:

When riding in areas where the roads are salted or near the ocean, clean the motorcycle after your ride with cold water immediately. Do not use warm water to wash your vehicle as it accelerates the chemical reaction of the salt. After drying the vehicle, applying an anti-rust and anti-corrosion oil to all metal unpainted surfaces. In the case of riding during a rainy day or just washing the motorcycle, spray may form on the inside of the headlight shade. If this happens, start the engine and turn on the headlight to remove the moisture.

Decorating the Surface

After washing your motorcycle, polish the painted metal and plastic surfaces with a specialized motorcycle/ automobile wax. Wax should be applied every three months or as required, to avoid the surface from having satin lines or being lackluster. Always use non-abrasive wax and apply them according to the instructions.

Windshield and Other Plastic Parts

After washing, use a soft cloth to gently dry off plastic parts. When the motorcycle is dry, use specified cleaning or glazing procedures for windshield glass, light shades and other uncoated plastic parts.

CAUTION

Plastic parts may deteriorate and break if they are exposed to chemical substances or household cleaning products such as gasoline, brake fluid, window cleaners, thread fastening glue, or other chemicals. If a plastic part is exposed to any chemical substance, wash it off with water immediately, and then inspect for damage. Avoid using abrasive pads or brushes to clean surfaces of plastic parts, as they will damage their luster.

Chrome and Aluminum(If equipped)

Chromium alloy and unpainted aluminum parts exposed to the air can oxidize, and thus will be lackluster. These parts should be cleaned with a detergent and polished with a lustering agent. Painted and unpainted aluminum wheels should be cleaned with specialized detergents.

Leather, Vinyl, and Rubber Products(If equipped)

If your motorcycle has leather accessories, use specialized detergents to clean them. Washing leather accessories with detergents and water will damage them and shorten their life. Vinyl parts should be cleaned separately.

Tires and other rubber components should be treated with a rubber protective agent to prolong their life.

⚠ DANGER

Special care must be given to tires, and it should be noted that rubber-protective agents applied to tires will not affect their functions. If tires are not treated properly, it may decrease the adhesive force between the tire and ground, possibly causing a loss of control.

Preparation for Storage

Clean the entire vehicle thoroughly.

Run the engine for about 5 minutes, stop the engine, then empty all engine oil.

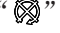
DANGER

Motorcycle oil is toxic. Dispose of used oil properly. Keep the used oil out of reach of children. If skin touches the oil it should be washed off immediately.

Replenish new engine oil.

Replenish fuel and fuel additive.

⚠ DANGER

Gasoline is extremely flammable and explosive under certain conditions. Turn the ignition key to “” position before operation. Do not smoke. Make sure the area is well ventilated and free of any source of flame or sparks and any appliance with a pilot light. Gasoline is a toxic substance. Dispose of gasoline properly. If skin touches the oil it should be treated immediately. Keep the used oil out of reach of children.

Reduce tire pressure at least by 20% during storage period.

Raise wheels off the ground using wood boards to keep the vehicle away from moisture.

Spray a film of engine oil on all unpainted metal surfaces to prevent rusting. Avoid spraying on rubber parts or on the brakes.

Lubricate drive chains and all cables.

Remove the battery. Store it in a cool and ventilated place. Ensure that the battery is fully charged according to the Periodic Maintenance Chart.

Wrap plastic bags over the muffler exhaust pipe to prevent moisture from entering.

Put a cover over the motorcycle to prevent dust and dirt.

Preparation After Storage

Remove the plastic bags from the muffler;

Charge the battery if necessary, then mount the battery;

Do all daily safety inspections;

Lubricate any pivot points as necessary;

Take a test ride.

COMMON PROBLEMS AND CAUSES

Problem	Component	Cause	Solution
Failed engine	Fuel system	No fuel in fuel tank	Refuel
		Pump blockage or damage: poor fuel quality	Clean or replace
	Ignition system	Spark plug failure: excessive carbon deposits, too long-time usage	Inspect or replace
		Spark plug cap failure: Poor contact or burning	Inspect or replace
		Ignition coil failure: poor contact or burning	Inspect or replace
		ECU failure: Poor contact or burning	Inspect or replace
		Trigger coil failure: poor contact or burning	Inspect or replace
		Stator failure: poor contact or burning	Inspect or replace
		Wiring failure: poor contact	Inspect or adjust
	Cylinder system	Starting mechanism failure: worn or damaged	Inspect or replace
		Intake and exhaust valves, and valve seats failure: too much fuel colloidal or too long-time use	Inspect or replace
		Cylinder, piston, piston ring failure: too much fuel colloidal or wear	Inspect or replace
		Intake pipe leakage: too long-time use	Inspect or replace
Valve timing failure		Inspect or replace	

Insufficient power	Valve and piston	Intake and exhaust valves, excessive carbon deposits in the piston: poor fuel quality and poor oil quality	Repair or replace
	Clutch	Clutch slips; poor oil quality, too long-time use and overloading	Adjust or replace
	Cylinder and ring	Cylinder, piston rings wear; poor oil quality and too long-time use	Replace oil
	Brake	Incomplete separation of brake; too-tight brake	Adjust
	Main chain	Too-tight drive chain; improper adjustment	Adjust
	Engine	Engine overheating; too-rich or too-lean mixture, poor oil and fuel quality, shelters, etc	Adjust or replace
Insufficient power	Spark plug	Improper spark plug clearance	Adjust or replace
	Intake pipe	Air leakage of intake pipe; too long-time use	Adjust or replace
	Cylinder head	Air leakage for cylinder head or valves	Inspect or replace
	Electric system	Electrical system failure	Inspect or repair
	Air filter	Air filter clogging	Clean or adjust
Failed headlights and taillights	Cables	Poor connections	Adjust
	Left and right switches	Poor switch contact or switch damage	Adjust or replace
	Headlight	LED and circuit board failure or damage	Replace
	Regulator	Poor connection or burning	Inspect or replace
	Magneto	Poor connection or burning	Inspect or replace

Failed horn	Battery	No electricity	Charge or replace
	Left switch	Horn button failure or damage	Adjust or replace
	Cables	Poor contact	Adjust or repair
	Horn	Horn damage	Adjust or replace

The listed above are the common problems of a motorcycle. If your motorcycle has certain problems (especially in the electronic fuel injection system, fuel evaporation system), please contact an authorized CFMOTO dealer to inspect and repair the vehicle in time.

 DANGER

Do not try to fix the problems without professional help, otherwise there may be safety risks or accidents. The user shall be responsible for any accident related to any repairs or maintenance not performed by a CFMOTO dealer.

GENERAL TORQUE CHART

Type	Torque (N•m)	Type	Torque (N•m)
M5 bolt and nut	5±1	M5 screw	4±1
M6 bolt and nut	10±1	M6 screw	9±1
M8 bolt and nut	20~30	M6 flange bolt and nut	12±1
M10 bolt and nut	30~40	M8 flange bolt and nut	20~30
M12 bolt and nut	40~50	M10 flange bolt and nu	30~40

CRUCIAL TORQUE CHART

Type	Thread	Number	Tightening Torque (N•m)	Thread-locker
Power supply locking fixed screw	M8×25	2	8~10	Yes
Fuel tank locking fixed screw	M5×25	3	4~6	No
Cushion locking fixed screw	M5×11	2	1.5~2	No
Exhaust muffler assy locking nut	M8	6	20~22	No
Exhaust muffler assy locking bolt	M8×35	2	Finger-tighten this bolt first, then secure the nut from the front of the exhaust, finally fix the bolt 22~25	No
Frame and engine LH front mounting bolt	M10×30	1	50~55	Yes

Engine LH upper mounting seat (upper part) fixed screw	M8×16	2	25~30	Yes
Engine LH upper mounting seat (lower part) fixed bolt	M10×60	1	45~50	Yes
Gearshift lever mounting seat fixed screw	M8×16	2	25~30	Yes
Frame and engine rear part mounting bolt (LH part)	M10×1.25×155	2	45~50	Yes
Frame and engine rear part mounting nut (RH part)	M10×1.25	2	45~50	Yes
ABS mounting seat fixed screw	M6×20	2	10	No
Engine RH upper mounting seat (upper part) fixed screw	M8×16	2	25~30	Yes
Engine RH upper mounting seat (lower part) fixed screw	M10×30	1	45~50	Yes
Frame and engine RH front mounting screw	M10×30	1	50~55	Yes
Main and sub-frame fixed bolt	M10×22	4	50~55	Yes
Rear fender connecting seat screw	M8×16	3	25~30	Yes
Side bracket bolt (Apply the greaser at the inside of the side bracket)	M10×1.25×32	1	5~10	No
Side bracket nut	M10×1.25	1	25~30	Yes
Headlight bracket assy fixed bolt	M8×20	2	20~25	Yes

Upper triple clamp fixed screw	M25×1.5	1	Loosen the upper triple clamp until tighten to 100N•m, secure it to 20N•m.	No
Lower triple clamp fixed screw	M8×30	4	25	Yes
Stem lock bracket I fixed screw	M8×20	2	25	Yes
LH & RH front shock absorber (lower part) fixed screw	M8×20	4	20	Yes
Rear fork shaft	M16×1.5×274.5	1	Until tighten	No
Rear shock absorber and a-shape swing arm fixed bolt	M12×75	2	60~70	Yes
Chain guard fixed screw	M6×14	2	6	No
Rear fork (LH side) nut	M16×1.5	1	100	No
Rear fork (RH side) locking nut	M22×1.5	1	100	No
Front wheel axle locking screw	M25×1.5	1	50	No
Inflation valve	M8×12	2	2~4	No
BANJO bolt II	M10×1×19.5	5	28~32	No
BANJO bolt I	M10×1×19	2	28~32	No
Rear brake light switch	M10×1×21	1	28~32	No
Front brake caliper fixed screw	M10×1.25×60	4	45	Yes
Rear brake pedal lever assy fixed screw	M8×25	1	25	Yes
Balance block screw	M6×45	2	8	No
LH & RH handlebar fixed screw	M4×30	2	3	No

Handlebar assy fixed screw	M8x25	3	25	No
Rear sprocket fixed screw	M8x28	6	25	Yes
Rear wheel axle nut	M25x1.5	1	90	No
Fuel tank assy fixed bolt	M6x35	2	10	No
Oil pump assembly fixed bolt	M6x16	4	4~5 (Diagonal fastening)	No
Cushion lock seat fixed screw	M6x16	2	5	No
Front cushion assy fixed screw	M6x25	2	5	No
Gearshift assy (middle part) fixed screw	M8x25	1	20	Yes
Gearshift assy (upper part) fixed screw	M6x22	1	Until tighten	Yes
LH&RH front pedal seat fixed screw	M5x20	4	5	Yes
	M6x10	2	6	Yes
LH&RH front pedal bracket guard fixed screw	M5x14	4	5	No
LH&RH front pedal bracket fixed screw	M8x25	4	25	Yes
LH&RH rear pedal bracket fixed screw	M8x20	4	25	Yes
LH&RH handlebar switch fixed screw	M4x12	2	1~2	No
RH handlebar switch (internal part) fixed screw	ST2.5x12	2	0.5~1	No
Radiator fan assy (LH side) fixed bolt	M8x30	1	20	No
Radiator fan assy (LH/RH side) fixed bolt	M6x25	2	10	No
Reservoir assy fixed bolt	M6x14	2	5	No
LH&RH rearview mirror assembly fixed screw	M6x25	4	8	No
Valve fixed bracket screw	M5x8	2	4~5	No

CFMOTO RIDE App / TELEMATICS BOX

CFMOTO RIDE is an intelligent, networked, mobile service platform that provides human-vehicle interconnection as its core. CFMOTO RIDE is committed to providing full-featured services for motorsport enthusiasts online.

The telematics module, or T-BOX, is an intelligent vehicle terminal that builds a communication bridge between owners and vehicles through the CFMOTO RIDE App. When T-BOX equipped, the owner can enjoy the smart features of CFMOTO RIDE.

The telematics module is optional in select markets. Check with your dealer to determine if your vehicle is equipped with telematics (T-BOX), or download the CFMOTO RIDE App, send your question via the [feedback] option, and CFMOTO will check for you.



CFMOTO RIDE App

Scan the QR code to download the CFMOTO RIDE APP from the Apple App Store for iPhone or Google Play for Android.



CFMOTO RIDE Facebook

Scan the QR code to follow CFMOTO RIDE on Facebook and be first to receive notices on App updates and news.



CFMOTO RIDE Website

Scan the QR code to explore the CFMOTO RIDE intelligent platform on the CFMOTO global website.

CFMOTO RIDE provides various smart features such as the vehicle owner's manual, riding details, navigation, Over-The-Air (OTA) updates, geofence, static reminders, etc. Available features will vary according to vehicle / model configuration and global market requirements.

Please download CFMOTO RIDE and enjoy the intelligent riding experience!

6GUV-380101-5900-12 EU247



MOREFUN

ZHEJIANG CFMOTO POWER CO., LTD.

NO.116,Wuzhou Road, Yuhang Economic Development Zone,
Hangzhou 311100,Zhejiang Province,China

Tel:86-571-86258863

Fax:+86-571-89265788

E-mail:service@cfmoto.com.cn

<http://global.cfmoto.com>

